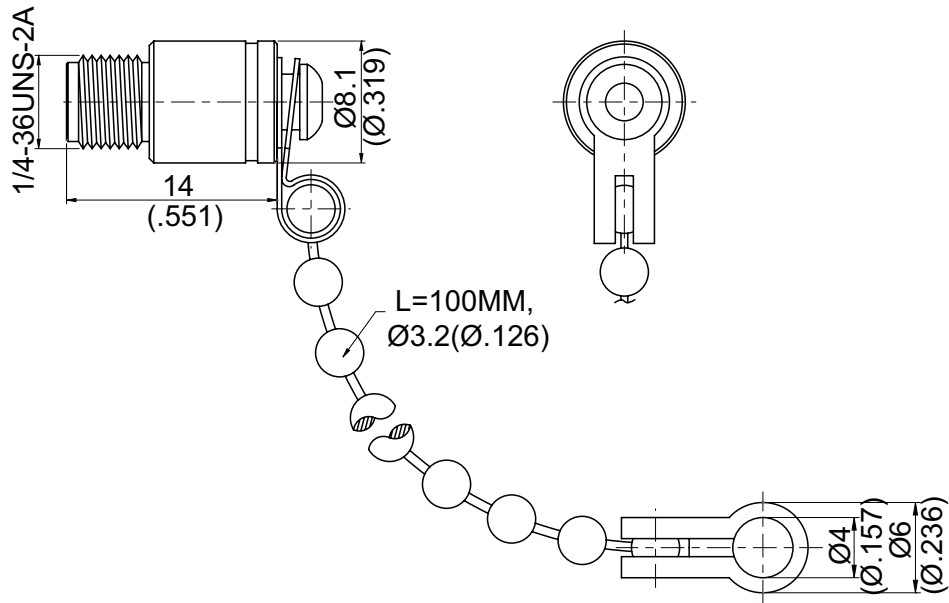


SMA8800-0000

SMA Jack Cap



Parts	Material	Plating (Micro-inch)
Free Reed	Brass	Tin-Zinc-Copper-Alloy 100 Over Copper 50
Chain plate	Brass	Tin-Zinc-Copper-Alloy 100 Over Copper 50
Rivet	Brass	Tin-Zinc-Copper-Alloy 100 Over Copper 50
Body	Brass	Gold 5 Over Nickel 50 Over Copper 50

Weight: 6.18 g

This part number complies with RoHS.

Notice: JYEBAO reserves the right to make modifications deemed appropriate.