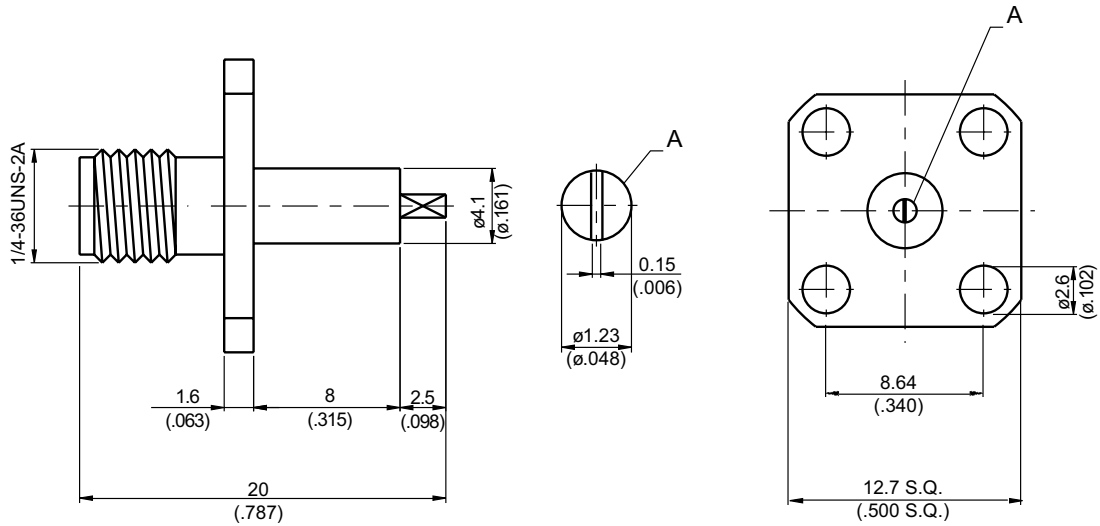
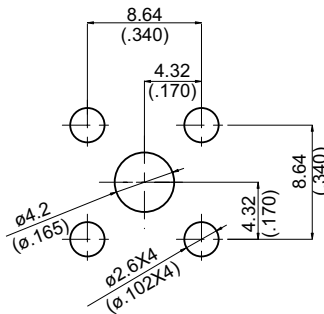


SMA864PLS-0000 SMA Jack SQ 12.7mm 4 Hole Flange With Tab Contact 50Ω
(W=1.23;T=0.15;L=2.5); PTFE L=8; 18GHz VSWR 1.2



MOUNTING HOLE :



Parts	Material	Plating (Micro-inch)
Contact Pin	Beryllium Copper	Gold 4 Over Nickel-Phosphorus Alloy 80 Over Copper 20
Insulator	Teflon	
Body	Stainless	Passivated

This part number complies with RoHS.

Notice: JYEBAO reserves the right to make modifications deemed appropriate.

SMA	SMA864PLS-0000
<div data-bbox="167 344 568 394" style="border: 1px solid black; padding: 2px;">Interface</div> <p>MIL-STD-348B Mechanically compatible with</p>	
	2.92 & 3.5
<div data-bbox="167 512 568 562" style="border: 1px solid black; padding: 2px;">Electrical Data</div> <p>Impedance Frequency range VSWR Insertion loss Insulation resistance Contact resistance inner conductor Contact resistance outer conductor Dielectric withstanding voltage (at sea level) Working voltage (at sea level)</p>	
	50Ω DC to 18GHz ≤ 1.2 (DC to 18GHz) $\leq 0.04 \times \sqrt{f(\text{GHz})}$ dB $\geq 5000\text{M}\Omega$ $\leq 3\text{m}\Omega$ $\leq 2\text{m}\Omega$ 1500 V rms 500 V rms
<div data-bbox="167 1057 568 1106" style="border: 1px solid black; padding: 2px;">Mechanical Data</div> <p>Recommended coupling nut torque Coupling proof torque Coupling nut retention force Contact Captivation-axial Durability (mating)</p>	
	7 to 9.5 inch lbs 15 inch lbs ≥ 60.7 lbs ≥ 6.1 lbs ≥ 500
<div data-bbox="167 1413 568 1462" style="border: 1px solid black; padding: 2px;">Environmental Data</div> <p>Temperature range Thermal shock Moisture resistance Corrosion RoHS</p>	
	-65°C to +165°C MIL-STD-202, Method 107, Condition B MIL-STD-202, Method 106 MIL-STD-202, Method 101, Condition B Compliant
<div data-bbox="167 1765 568 1814" style="border: 1px solid black; padding: 2px;">Tooling</div>	

Notice: JYEBAO reserves the right to make modifications deemed appropriate.