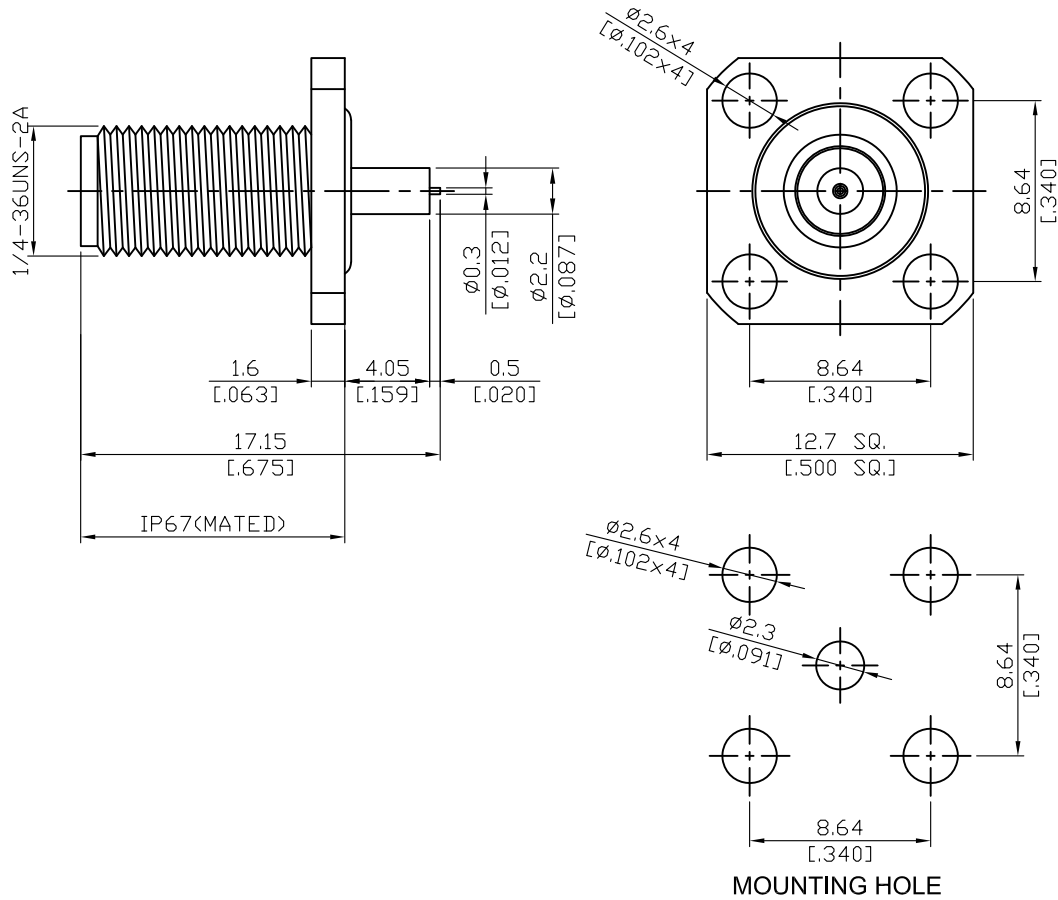


SMA864NLG-4.05/0.5

SMA Jack SQ 12.7mm 4 Hole Flange With Round Contact  
( $\Phi 0.3$ ;L=0.5), PTFE L=4.05; IP67 Mated; 18GHz VSWR 1.2

50 $\Omega$



Parts	Material	Plating ( Micro-inch )
Body	Brass	Gold 4 Over Nickel-Phosphorus Alloy 80 Over Copper 20
Insulator	Teflon	
Contact Pin	Beryllium Copper	Gold 4 Over Nickel-Phosphorus Alloy 80 Over Copper 20
Gasket	Silicone	

This part number complies with RoHS.

Notice: JYEBAO reserves the right to make modifications deemed appropriate.

SMA	SMA864NLG-4.05/0.5
<div style="border: 1px solid black; padding: 2px; margin-bottom: 5px;">Interface</div> MIL-STD-348B Mechanically compatible with 2.92 & 3.5	
<div style="border: 1px solid black; padding: 2px; margin-bottom: 5px;">Electrical Data</div> Impedance 50Ω Frequency range DC to 18GHz VSWR $\leq 1.2$ (DC to 18GHz) Insertion loss $\leq 0.04 \times \sqrt{f(\text{GHz})}$ dB Insulation resistance $\geq 5000\text{M}\Omega$ Contact resistance inner conductor $\leq 3\text{m}\Omega$ Contact resistance outer conductor $\leq 2\text{m}\Omega$ Dielectric withstanding voltage (at sea level) 1500 V rms Working voltage (at sea level) 500 V rms	
<div style="border: 1px solid black; padding: 2px; margin-bottom: 5px;">Mechanical Data</div> Recommended coupling nut torque 4 inch lbs Coupling proof torque 5.3 inch lbs Contact Captivation-axial $\geq 6.1$ lbs Durability (mating) $\geq 100$	
<div style="border: 1px solid black; padding: 2px; margin-bottom: 5px;">Environmental Data</div> Temperature range -65°C to +165°C Thermal shock MIL-STD-202, Method 107, Condition B Moisture resistance MIL-STD-202, Method 106 Corrosion MIL-STD-202, Method 101, Condition B RoHS Compliant	
<div style="border: 1px solid black; padding: 2px; margin-bottom: 5px;">Tooling</div>	

Notice: JYEBAO reserves the right to make modifications deemed appropriate.

# SMA864NLG-4.05-0.5

S11

