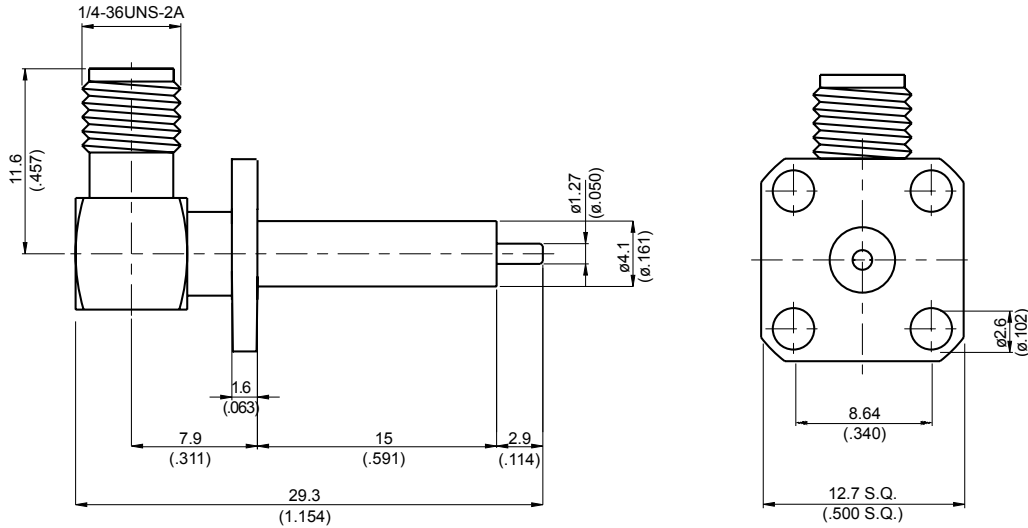


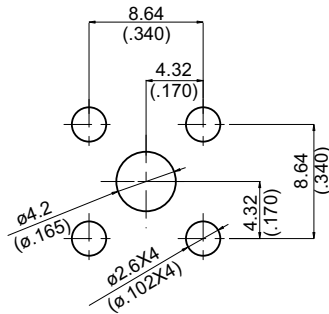
SMA864LS-9000

Stainless SMA Jack For Panel Receptacle Right Angle
9GHz VSWR 1.2

50Ω



MOUNTING HOLE



Operating Temp: -65°C/+165°C

Parts	Material	Plating (Micro-inch)
Cover	Brass	Tin-Zinc-Copper-Alloy 100 Over Copper 50
Contact Pin	Beryllium Copper	Gold 4 Over Nickel-Phosphorus Alloy 80 Over Copper 20
Insulator	Teflon	
Body	Stainless Steel	Passivated

Weight:

This part number complies with RoHS.

Notice: JYEBAO reserves the right to make modifications deemed appropriate.