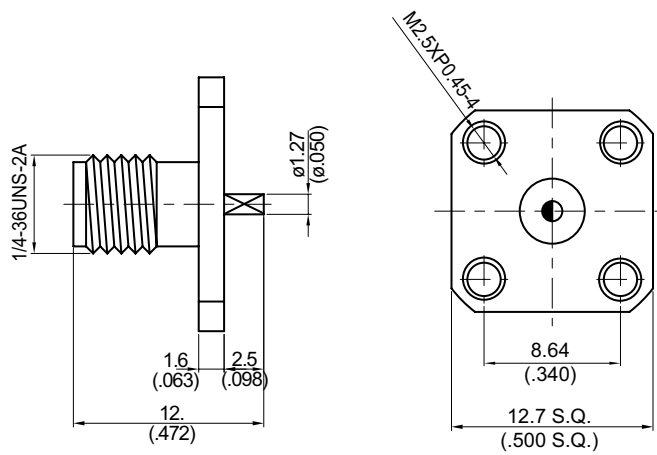


SMA864KTS-0000 SMA Jack SQ 12.7mm 4 Hole Flange With Half Moon Contact (Φ1.27;L=2.5); 11GHz VSWR 1.2 50Ω



| Parts | Material | Plating (Micro-inch) |
|-------------|------------------|---|
| Contact Pin | Beryllium Copper | Gold 4 Over Nickel-Phosphorus Alloy 80 Over Copper 20 |
| Insulator | Teflon | |
| Body | Stainless | Passivated |

This part number complies with RoHS.

Notice: JYEBAO reserves the right to make modifications deemed appropriate.

| SMA | SMA864KTS-0000 |
|--|----------------|
| <div data-bbox="167 344 568 389" style="border: 1px solid black; padding: 2px;">Interface</div> <p>MIL-STD-348B Mechanically compatible with 2.92 & 3.5</p> | |
| <div data-bbox="167 512 568 557" style="border: 1px solid black; padding: 2px;">Electrical Data</div> <p>Impedance 50Ω Frequency range DC to 11GHz VSWR ≤ 1.2 (DC to 11GHz) Insertion loss $\leq 0.04 \times \sqrt{f(\text{GHz})}$ dB Insulation resistance $\geq 5000\text{M}\Omega$ Contact resistance inner conductor $\leq 3\text{m}\Omega$ Contact resistance outer conductor $\leq 2\text{m}\Omega$ Dielectric withstanding voltage (at sea level) 1500 V rms Working voltage (at sea level) 500 V rms</p> | |
| <div data-bbox="167 1057 568 1102" style="border: 1px solid black; padding: 2px;">Mechanical Data</div> <p>Recommended coupling nut torque 7 to 9.5 inch lbs Coupling proof torque 15 inch lbs Coupling nut retention force ≥ 60.7 lbs Contact Captivation-axial ≥ 6.1 lbs Durability (mating) ≥ 500</p> | |
| <div data-bbox="167 1413 568 1458" style="border: 1px solid black; padding: 2px;">Environmental Data</div> <p>Temperature range -65°C to +165°C Thermal shock MIL-STD-202, Method 107, Condition B Moisture resistance MIL-STD-202, Method 106 Corrosion MIL-STD-202, Method 101, Condition B RoHS Compliant</p> | |
| <div data-bbox="167 1765 568 1809" style="border: 1px solid black; padding: 2px;">Tooling</div> | |

Notice: JYEBAO reserves the right to make modifications deemed appropriate.