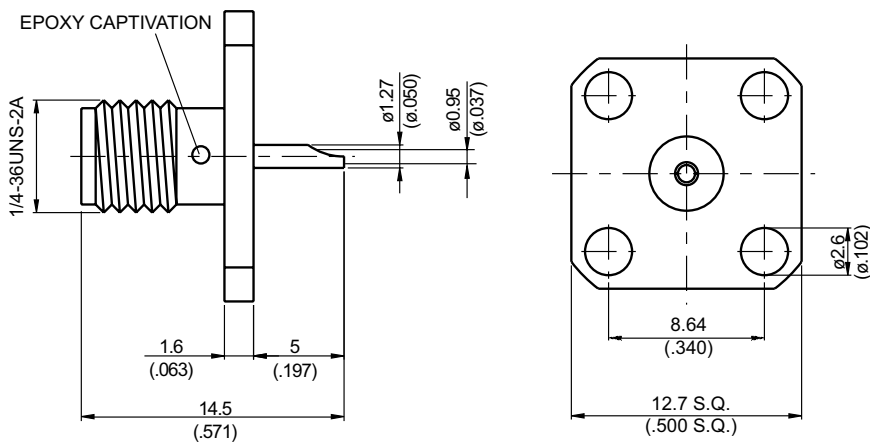


SMA864AS-0000

SMA Jack SQ 12.7mm 4 Hole Flange With Solder Cup contact; 12.4GHz VSWR 1.2 50Ω



| Parts | Material | Plating (Micro-inch) |
|-------------|------------------|---|
| Contact Pin | Beryllium Copper | Gold 4 Over Nickel-Phosphorus Alloy 80 Over Copper 20 |
| Insulator | Teflon | |
| Body | Stainless | Passivated |

This part number complies with RoHS.

Notice: JYEBAO reserves the right to make modifications deemed appropriate.

| SMA | SMA864AS-0000 |
|--|--|
| <div data-bbox="167 347 568 392" style="border: 1px solid black; padding: 2px;">Interface</div> <p>MIL-STD-348B Mechanically compatible with</p> | |
| | 2.92 & 3.5 |
| <div data-bbox="167 510 568 555" style="border: 1px solid black; padding: 2px;">Electrical Data</div> <p>Impedance Frequency range VSWR Insertion loss Insulation resistance Contact resistance inner conductor Contact resistance outer conductor Dielectric withstanding voltage (at sea level) Working voltage (at sea level)</p> | |
| | 50Ω DC to 12.4GHz ≤ 1.2 (DC to 12.4GHz) $\leq 0.04 \times \sqrt{f(\text{GHz})}$ dB $\geq 5000\text{M}\Omega$ $\leq 3\text{m}\Omega$ $\leq 2\text{m}\Omega$ 1500 V rms 500 V rms |
| <div data-bbox="167 1057 568 1102" style="border: 1px solid black; padding: 2px;">Mechanical Data</div> <p>Recommended coupling nut torque Coupling proof torque Coupling nut retention force Contact Captivation-axial Durability (mating)</p> | |
| | 7 to 9.5 inch lbs 15 inch lbs ≥ 60.7 lbs ≥ 6.1 lbs ≥ 500 |
| <div data-bbox="167 1413 568 1458" style="border: 1px solid black; padding: 2px;">Environmental Data</div> <p>Temperature range Thermal shock Moisture resistance Corrosion RoHS</p> | |
| | -40°C to +165°C MIL-STD-202, Method 107, Condition B MIL-STD-202, Method 106 MIL-STD-202, Method 101, Condition B Compliant |
| <div data-bbox="167 1765 568 1809" style="border: 1px solid black; padding: 2px;">Tooling</div> | |

Notice: JYEBAO reserves the right to make modifications deemed appropriate.