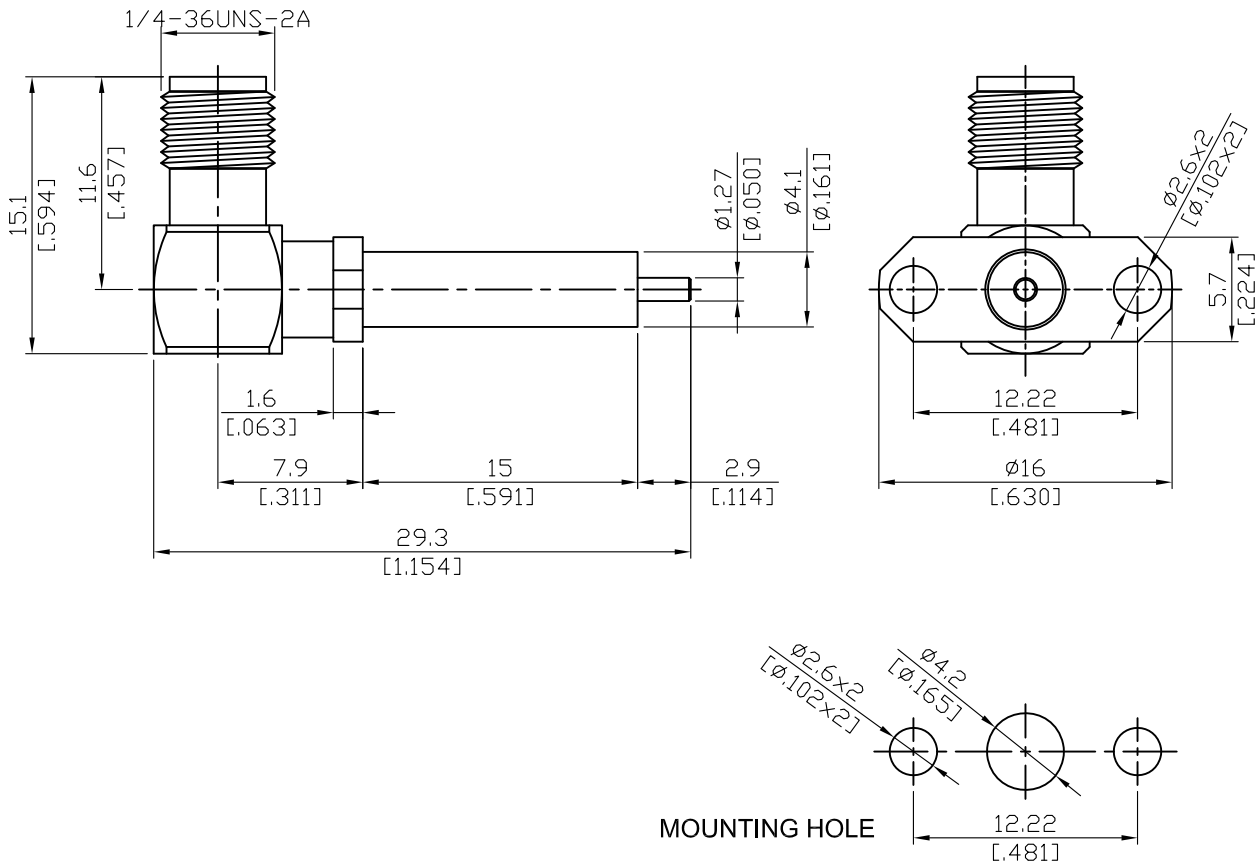


SMA862LS-9000

SMA Jack  $\phi 16\text{mm}$  2 Hole Flange Right Angle With Round Contact ( $\Phi 1.27$ ;  $L=2.9$ ), PTFE  $L=15$ ; 6GHz VSWR 1.2

50 $\Omega$



Parts	Material	Plating ( Micro-inch )
Housing	Stainless Steel	Passivated
Body	Stainless Steel	Passivated
Insulator	Teflon	
Contact Pin	Brass	Gold 4 Over Nickel-Phosphorus Alloy 80 Over Copper 20
Cover	Brass	Tin-Zinc-Copper-Alloy 100 Over Copper 50

This part number complies with RoHS.

Notice: JYEBAO reserves the right to make modifications deemed appropriate.

SMA	SMA862LS-9000
<div data-bbox="167 347 568 392" style="border: 1px solid black; padding: 2px;">Interface</div> <p>MIL-STD-348B Mechanically compatible with 2.92 &amp; 3.5</p>	
<div data-bbox="167 510 568 555" style="border: 1px solid black; padding: 2px;">Electrical Data</div> <p>Impedance 50Ω Frequency range DC to 6GHz VSWR <math>\leq 1.2</math> (DC to 6GHz) Insertion loss <math>\leq 0.04 \times \sqrt{f(\text{GHz})}</math> dB Insulation resistance <math>\geq 5000\text{M}\Omega</math> Contact resistance inner conductor <math>\leq 3\text{m}\Omega</math> Contact resistance outer conductor <math>\leq 2\text{m}\Omega</math> Dielectric withstanding voltage (at sea level) 1500 V rms Working voltage (at sea level) 500 V rms</p>	
<div data-bbox="167 1057 568 1102" style="border: 1px solid black; padding: 2px;">Mechanical Data</div> <p>Recommended coupling nut torque 7 to 9.5 inch lbs Coupling proof torque 15 inch lbs Contact Captivation-axial <math>\geq 6.1</math> lbs Durability (mating) <math>\geq 500</math></p>	
<div data-bbox="167 1411 568 1456" style="border: 1px solid black; padding: 2px;">Environmental Data</div> <p>Temperature range -65°C to +165°C Thermal shock MIL-STD-202, Method 107, Condition B Moisture resistance MIL-STD-202, Method 106 Corrosion MIL-STD-202, Method 101, Condition B RoHS Compliant</p>	
<div data-bbox="167 1765 568 1809" style="border: 1px solid black; padding: 2px;">Tooling</div>	

Notice: JYEBAO reserves the right to make modifications deemed appropriate.

# SMA862LS-9000

S11

