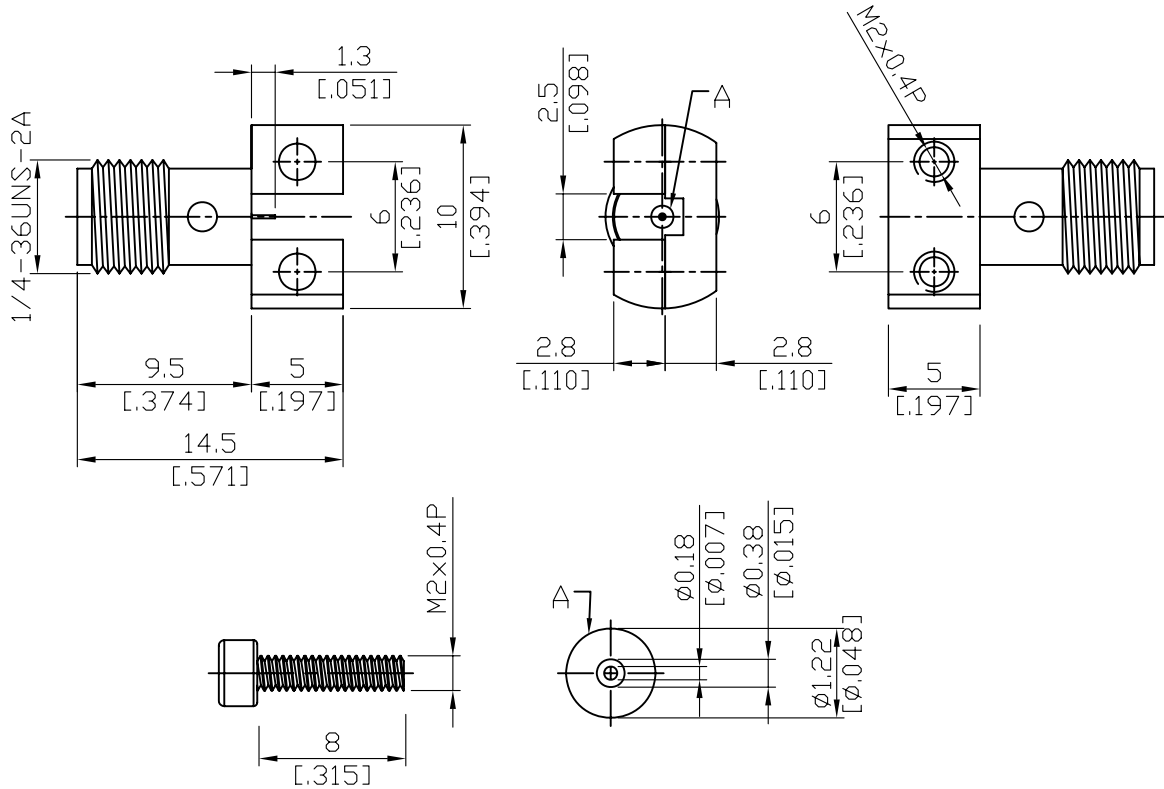


SMA860A3-0000

SMA Jack Strip Transmission Line 2 Hole  
Launch With Round Contact

50Ω



Parts	Material	Plating ( Micro-inch )
Screw	Stainless Steel	Passivated
Pad	Brass	Gold 4 Over Nickel-Phosphorus Alloy 80 Over Copper 20
Contact Pin	Beryllium Copper	Gold 4 Over Nickel-Phosphorus Alloy 80 Over Copper 20
Insulator	Teflon	
Body	Brass	Gold 4 Over Nickel-Phosphorus Alloy 80 Over Copper 20

This part number complies with RoHS.

Notice: JYEBAO reserves the right to make modifications demand appropriate.