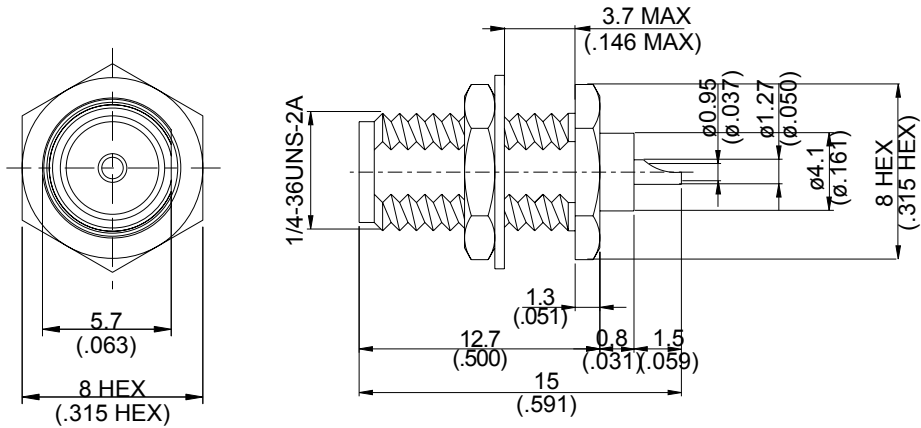


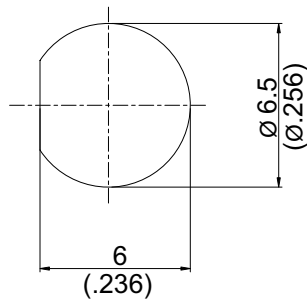
SMA8501S-0000

**SMA Jack Bulkhead**  
**With Solder Cup Contact; 18GHz VSWR 1.2**

**50Ω**



MOUNTING HOLE :



Parts	Material	Plating (Micro-inch)
Hex Nut	Stainless	Passivated
Lock Washer	Stainless	Passivated
Contact Pin	Beryllium Copper	Gold 4 Over Nickel-Phosphorus Alloy 80 Over Copper 20
Insulator	Teflon	
Body	Stainless	Passivated

Weight: 2.43 g

This part number complies with RoHS.

Notice: JYEBAO reserves the right to make modifications deemed appropriate.

SMA	SMA8501S-0000
<div data-bbox="167 344 568 392" style="border: 1px solid black; padding: 2px;">Interface</div> <p>MIL-STD-348B Mechanically compatible with</p>	
	2.92 & 3.5
<div data-bbox="167 512 568 560" style="border: 1px solid black; padding: 2px;">Electrical Data</div> <p>Impedance Frequency range VSWR Insertion loss Insulation resistance Contact resistance inner conductor Contact resistance outer conductor Dielectric withstanding voltage (at sea level) Working voltage (at sea level)</p>	
	<p>50Ω DC to 18GHz ≤ 1.2 (DC to 18GHz) ≤ 0.04 x √f(GHz) dB ≥ 5000MΩ ≤ 3mΩ ≤ 2mΩ 1500 V rms 500 V rms</p>
<div data-bbox="167 1057 568 1104" style="border: 1px solid black; padding: 2px;">Mechanical Data</div> <p>Recommended coupling nut torque Coupling proof torque Contact Captivation-axial Durability (mating)</p>	
	<p>7 to 9.5 inch lbs 15 inch lbs ≥ 6.1 lbs ≥ 500</p>
<div data-bbox="167 1413 568 1460" style="border: 1px solid black; padding: 2px;">Environmental Data</div> <p>Temperature range Thermal shock Moisture resistance Corrosion RoHS</p>	
	<p>-65°C to +165°C MIL-STD-202, Method 107, Condition B MIL-STD-202, Method 106 MIL-STD-202, Method 101, Condition B Compliant</p>
<div data-bbox="167 1765 568 1812" style="border: 1px solid black; padding: 2px;">Tooling</div>	

Notice: JYEBAO reserves the right to make modifications deemed appropriate.

# SMA8501S-0000

S11

