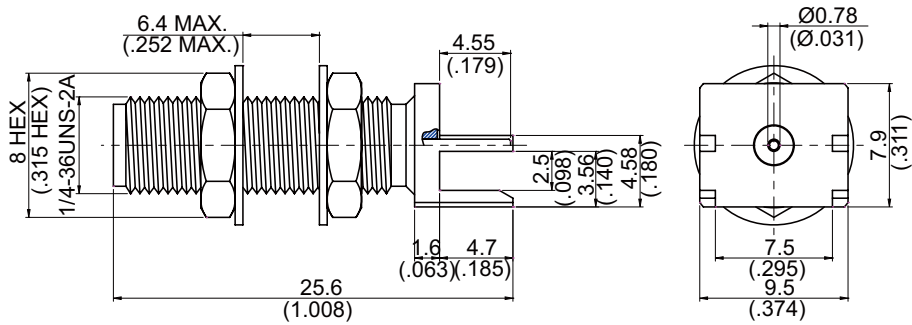
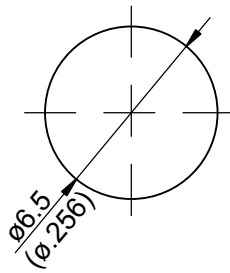


SMA8403E-0000

SMA Jack PCB Mount For Bulkhead End Launch (T=2.5) 50Ω  
With Round Contact (Φ0.78); 18GHz VSWR 1.25



MOUNTING HOLES



Parts	Material	Plating (Micro-inch)
Hex Nut	Brass	Gold 4 Over Nickel-Phosphorus 80 Over Copper 20
Lock Washer	Brass	Gold 4 Over Nickel-Phosphorus 80 Over Copper 20
Contact Pin	Beryllium Copper	Gold 4 Over Nickel-Phosphorus 80 Over Copper 20
Insulator	Teflon	
Body	Brass	Gold 4 Over Nickel-Phosphorus 80 Over Copper 20

This part number complies with RoHS.

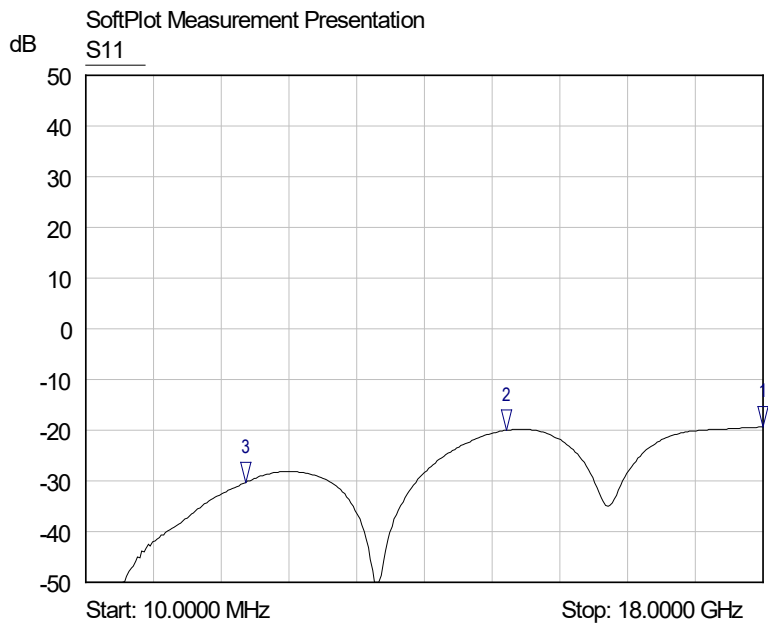
Notice: JYEBAO reserves the right to make modifications deemed appropriate.

SMA	SMA8403E-0000
<div data-bbox="172 387 571 432" style="border: 1px solid black; padding: 2px;">Interface</div> <p>MIL-STD-348B</p> <p>Mechanically compatible with 2.92 &amp; 3.5</p>	
<div data-bbox="172 555 571 600" style="border: 1px solid black; padding: 2px;">Electrical Data</div> <p>Impedance 50Ω</p> <p>Frequency range DC to 18GHz</p> <p>VSWR <math>\leq 1.25</math> (DC to 18GHz)</p> <p>Insertion loss <math>\leq 0.04 \times \sqrt{f(\text{GHz})}</math> dB</p> <p>Insulation resistance <math>\geq 5000\text{M}\Omega</math></p> <p>Contact resistance inner conductor <math>\leq 3\text{m}\Omega</math></p> <p>Contact resistance outer conductor <math>\leq 2\text{m}\Omega</math></p> <p>Dielectric withstanding voltage (at sea level) 1500 V rms</p> <p>Working voltage (at sea level) 500 V rms</p>	
<div data-bbox="172 1093 571 1137" style="border: 1px solid black; padding: 2px;">Mechanical Data</div> <p>Recommended coupling nut torque 4 inch lbs</p> <p>Coupling proof torque 5.3 inch lbs</p> <p>Contact Captivation-axial <math>\geq 6.1</math> lbs</p> <p>Durability (mating) <math>\geq 100</math></p>	
<div data-bbox="172 1402 571 1447" style="border: 1px solid black; padding: 2px;">Environmental Data</div> <p>Temperature range -65°C to +165°C</p> <p>Thermal shock MIL-STD-202, Method 107, Condition B</p> <p>Moisture resistance MIL-STD-202, Method 106</p> <p>Corrosion MIL-STD-202, Method 101, Condition B</p> <p>RoHS Compliant</p>	
<div data-bbox="172 1753 571 1798" style="border: 1px solid black; padding: 2px;">Tooling</div>	

Notice: JYEBAO reserves the right to make modifications deemed appropriate.

# SMA8403E-0000

S11



- 1 S11  
▽ 18.0000 GHz  
-19.39 dB
- 2 S11  
▽ 11.1821 GHz  
-20.01 dB
- 3 S11  
▽ 4.2497 GHz  
-30.34 dB