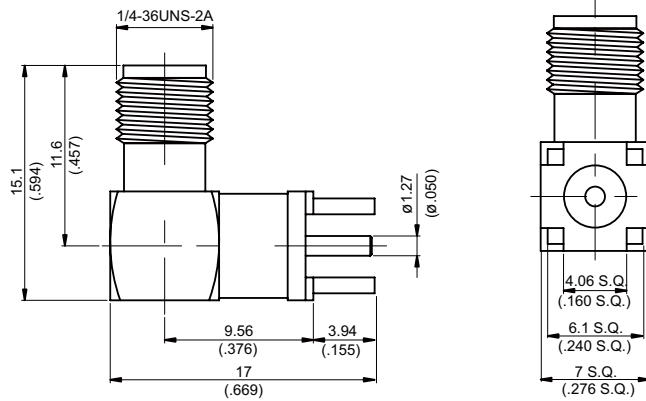
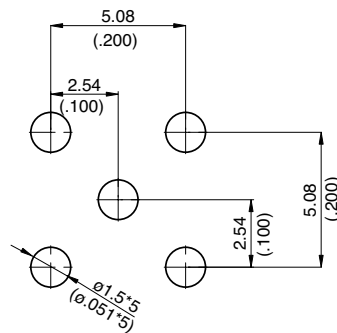


SMA8400M-9000

SMA Jack PCB Mount Right Angle With Round Contact (Φ1.27); 11GHz VSWR 1.2 50Ω



MOUNTING HOLE



Parts	Material	Plating (Micro-inch)
Cover	Brass	Gold 4 Over Nickel-Phosphorus Alloy 80 Over Copper 20
Contact Pin	Beryllium Copper	Gold 4 Over Nickel-Phosphorus Alloy 80 Over Copper 20
Insulator	Teflon	
Body	Brass	Gold 4 Over Nickel-Phosphorus Alloy 80 Over Copper 20

Weight: 3.87 g

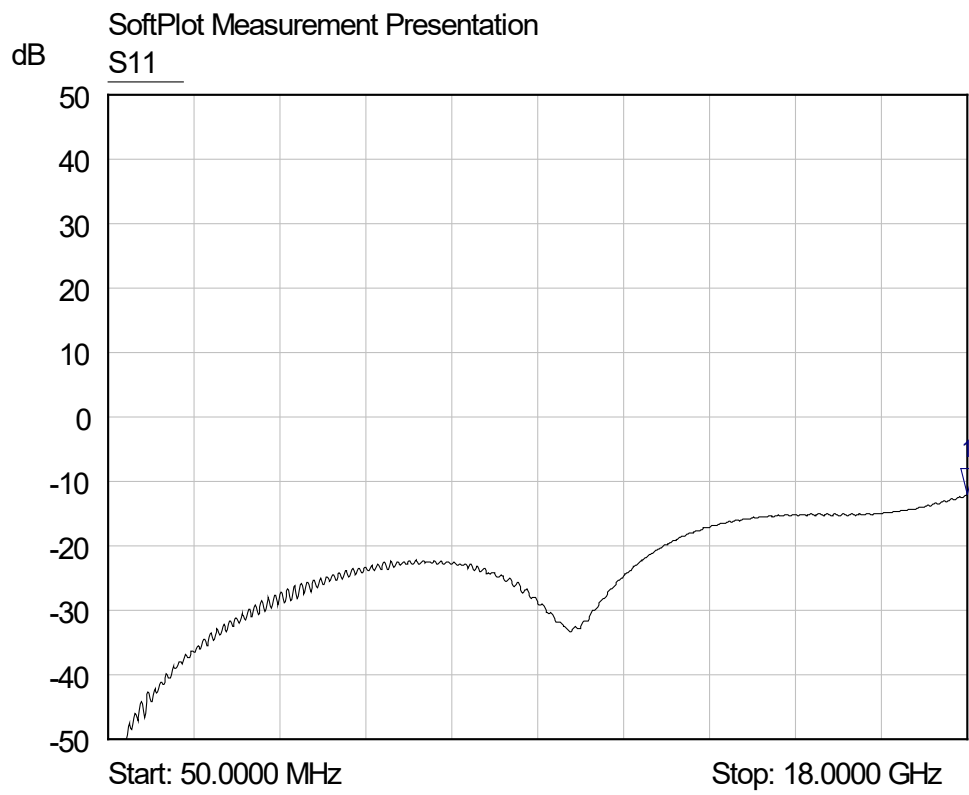
This part number complies with RoHS.

Notice: JYEBAO reserves the right to make modifications deemed appropriate.

SMA	SMA8400M-9000
<div style="border: 1px solid black; padding: 2px;">Interface</div> <p>MIL-STD-348B Mechanically compatible with</p>	
	2.92 & 3.5
<div style="border: 1px solid black; padding: 2px;">Electrical Data</div> <p>Impedance Frequency range VSWR Insertion loss Insulation resistance Contact resistance inner conductor Contact resistance outer conductor Dielectric withstanding voltage (at sea level) Working voltage (at sea level)</p>	
	50Ω DC to 11GHz ≤ 1.2 (DC to 11GHz) ≤ 0.04 x √f (GHz) dB ≥ 5000MΩ ≤ 3mΩ ≤ 2mΩ 1500 V rms 500 V rms
<div style="border: 1px solid black; padding: 2px;">Mechanical Data</div> <p>Recommended coupling nut torque Coupling proof torque Contact Captivation-axial Durability (mating)</p>	
	4 inch lbs 5.3 inch lbs ≥ 6.1 lbs ≥ 1 00
<div style="border: 1px solid black; padding: 2px;">Environmental Data</div> <p>Temperature range Thermal shock Moisture resistance Corrosion RoHS</p>	
	-65°C to +165°C MIL-STD-202, Method 107, Condition B MIL-STD-202, Method 106 MIL-STD-202, Method 101, Condition B Compliant
<div style="border: 1px solid black; padding: 2px;">Tooling</div>	

Notice: JYEBAO reserves the right to make modifications deemed appropriate.

SMA8400M-9000



Mkr	Trace	X-Axis	Value	Notes
1 ▾	S11	18.0000 GHz	-12.07 dB	