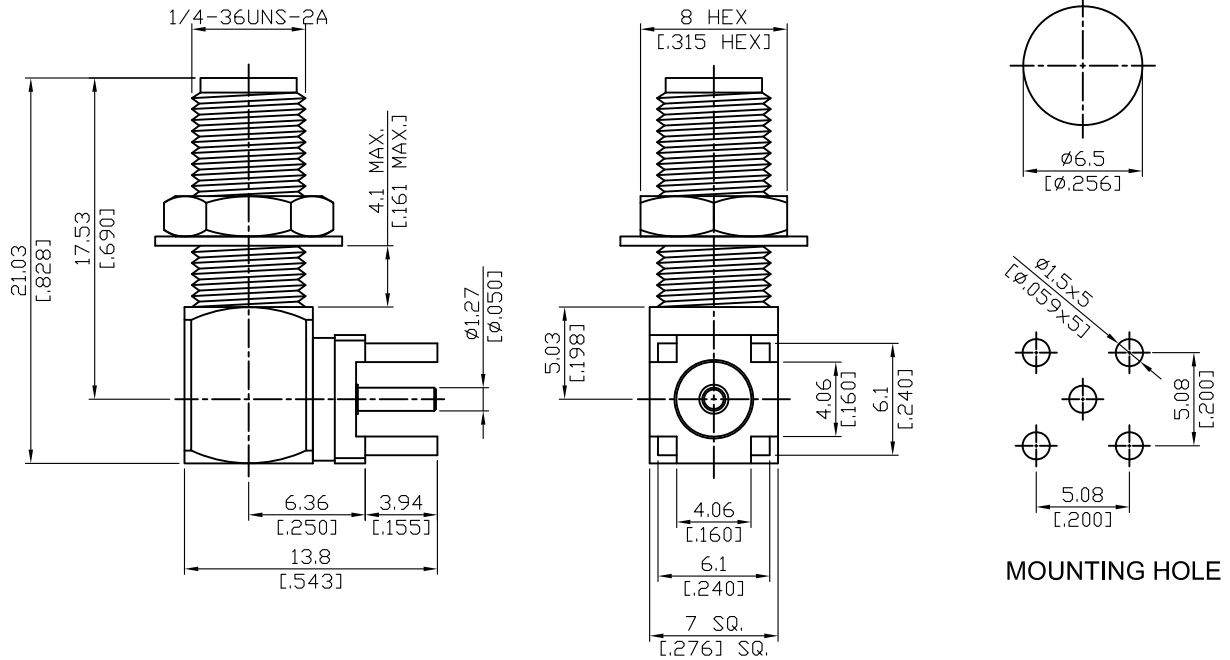


SMA8400A1-9000/CP

SMA Jack PCB Mount Bulkhead Right Angle
With Round Contact ($\Phi 1.27$); 14GHz VSWR 1.2

50 Ω



| Parts | Material | Plating (Micro-inch) |
|-------------|------------------|---|
| Cover | Brass | Gold 4 Over Nickel-Phosphorus Alloy 80 Over Copper 20 |
| Hex Nut | Brass | Gold 4 Over Nickel-Phosphorus Alloy 80 Over Copper 20 |
| Washer | Brass | Gold 4 Over Nickel-Phosphorus Alloy 80 Over Copper 20 |
| Contact Pin | Beryllium Copper | Gold 4 Over Nickel-Phosphorus Alloy 80 Over Copper 20 |
| Insulator | Teflon | |
| Body | Brass | Gold 4 Over Nickel-Phosphorus Alloy 80 Over Copper 20 |

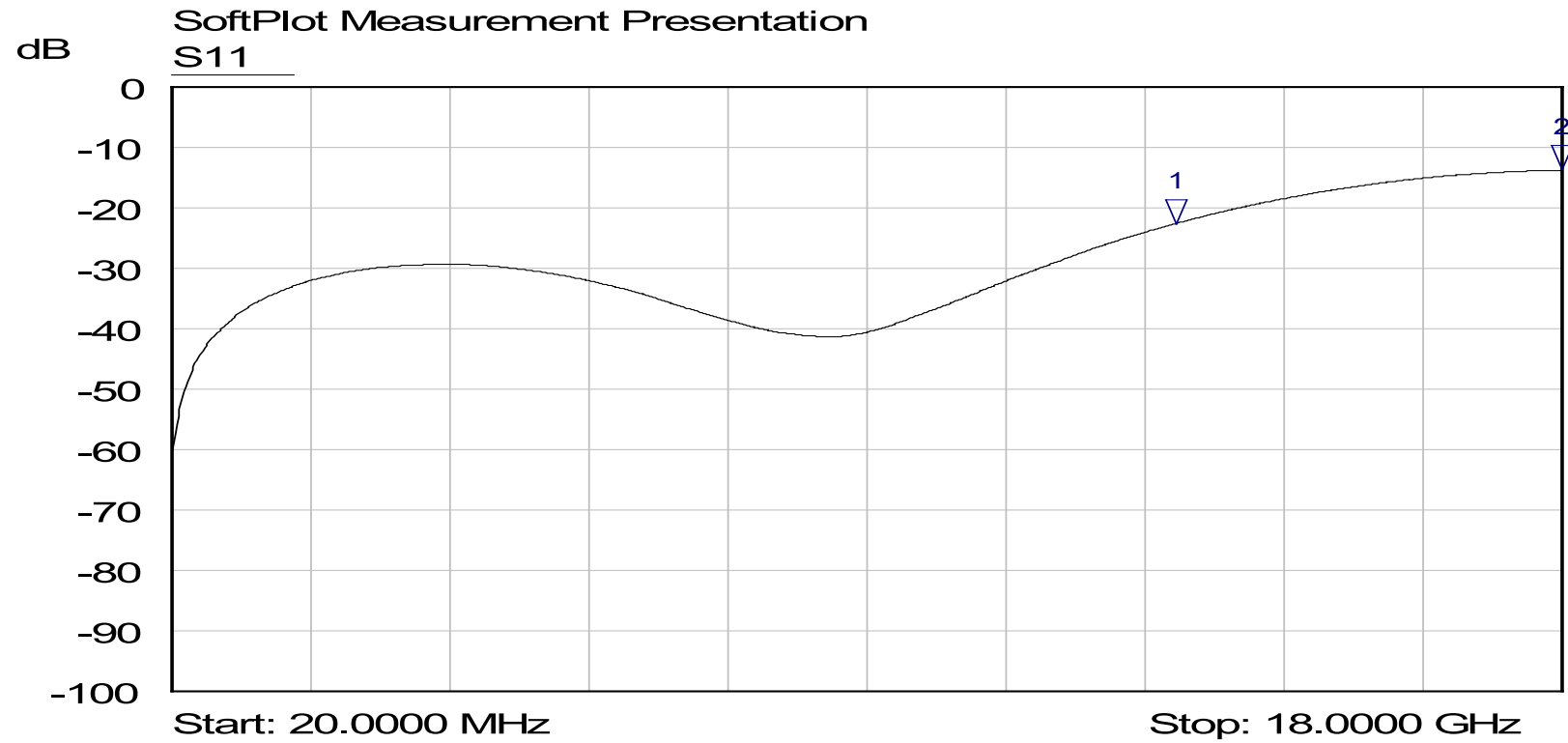
This part number complies with RoHS.

Notice: JYEBAO reserves the right to make modifications deemed appropriate.

| SMA | SMA8400A1-9000/CP |
|--|-------------------|
| <div data-bbox="167 387 571 432" style="border: 1px solid black; padding: 2px;">Interface</div> <p>MIL-STD-348B</p> <p>Mechanically compatible with 2.92 & 3.5</p> | |
| <div data-bbox="167 555 571 600" style="border: 1px solid black; padding: 2px;">Electrical Data</div> <p>Impedance 50Ω</p> <p>Frequency range DC to 14GHz</p> <p>VSWR ≤ 1.2 (DC to 14GHz)</p> <p>Insertion loss $\leq 0.04 \times \sqrt{f(\text{GHz})}$ dB</p> <p>Insulation resistance $\geq 5000\text{M}\Omega$</p> <p>Contact resistance inner conductor $\leq 3\text{m}\Omega$</p> <p>Contact resistance outer conductor $\leq 2\text{m}\Omega$</p> <p>Dielectric withstanding voltage (at sea level) 1500 V rms</p> <p>Working voltage (at sea level) 500 V rms</p> | |
| <div data-bbox="167 1093 571 1137" style="border: 1px solid black; padding: 2px;">Mechanical Data</div> <p>Recommended coupling nut torque 4 inch lbs</p> <p>Coupling proof torque 5.3 inch lbs</p> <p>Contact Captivation-axial ≥ 6.1 lbs</p> <p>Durability (mating) ≥ 100</p> | |
| <div data-bbox="167 1402 571 1447" style="border: 1px solid black; padding: 2px;">Environmental Data</div> <p>Temperature range -65°C to +165°C</p> <p>Thermal shock MIL-STD-202, Method 107, Condition B</p> <p>Moisture resistance MIL-STD-202, Method 106</p> <p>Corrosion MIL-STD-202, Method 101, Condition B</p> <p>RoHS Compliant</p> | |
| <div data-bbox="167 1753 571 1798" style="border: 1px solid black; padding: 2px;">Tooling</div> | |

Notice: JYEBAO reserves the right to make modifications deemed appropriate.

SMA8400A1-9000/CP



| Mkr | Trace | X-Axis | Value | Notes |
|-----|-------|-------------|-----------|-------|
| 1 ▽ | S11 | 13.0000 GHz | -22.61 dB | |
| 2 ▽ | S11 | 18.0000 GHz | -13.75 dB | |