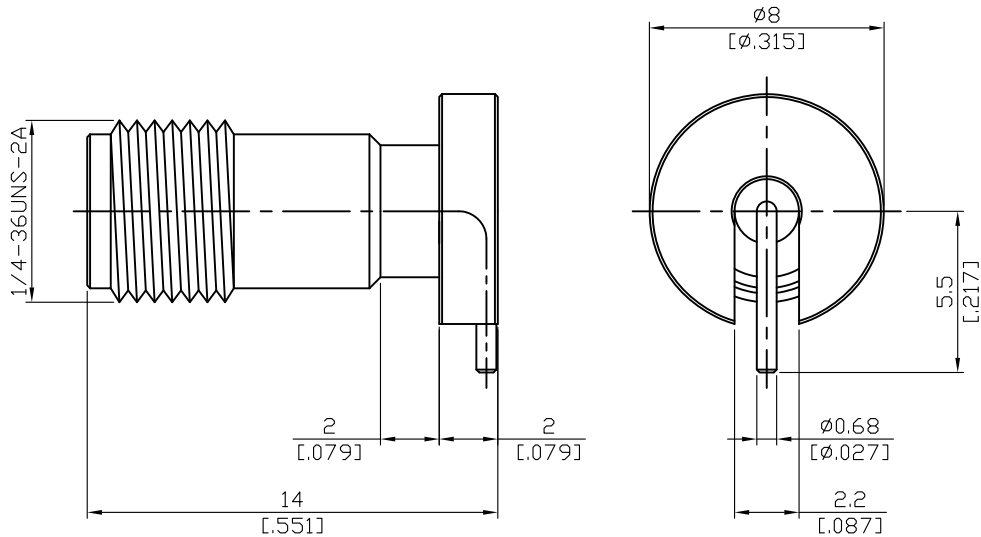


SMA8400-9PIN

SMA Jack PCB Surface Mount
With Right Angle Pin; 8GHz VSWR 1.2

50Ω



| Parts | Material | Plating (Micro-inch) |
|-------------|------------------|---|
| Body | Brass | Gold 4 Over Nickel-Phosphorus Alloy 80 Over Copper 20 |
| Contact Pin | Beryllium Copper | Gold 4 Over Nickel-Phosphorus Alloy 80 Over Copper 20 |
| Insulator | Teflon | |

This part number complies with RoHS.

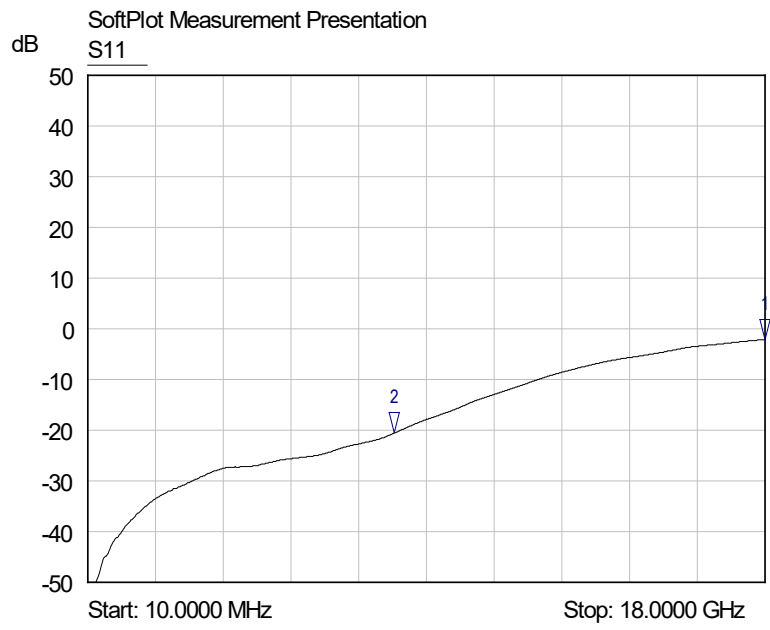
Notice: JYEBAO reserves the right to make modifications deemed appropriate.

| SMA | SMA8400-9PIN |
|--|--------------------------------------|
| Interface | |
| MIL-STD-348B | |
| Mechanically compatible with | 2.92 & 3.5 |
| Electrical Data | |
| Impedance | 50Ω |
| Frequency range | DC to 8GHz |
| VSWR | ≤ 1.2 (DC to 8GHz) |
| Insertion loss | ≤ 0.04 x √f(GHz) dB |
| Insulation resistance | ≥ 5000MΩ |
| Contact resistance inner conductor | ≤ 3mΩ |
| Contact resistance outer conductor | ≤ 2mΩ |
| Dielectric withstanding voltage (at sea level) | 1500 V rms |
| Working voltage (at sea level) | 500 V rms |
| Mechanical Data | |
| Recommended coupling nut torque | 4 inch lbs |
| Coupling proof torque | 5.3 inch lbs |
| Contact Captivation-axial | ≥ 6.1 lbs |
| Durability (mating) | ≥ 100 |
| Environmental Data | |
| Temperature range | -65°C to +165°C |
| Thermal shock | MIL-STD-202, Method 107, Condition B |
| Moisture resistance | MIL-STD-202, Method 106 |
| Corrosion | MIL-STD-202, Method 101, Condition B |
| RoHS | Compliant |
| Tooling | |

Notice: JYEBAO reserves the right to make modifications deemed appropriate.

SMA8400-9PIN

S11



- 1 S11
▽ 18.0000 GHz
-2.11 dB
- 2 S11
▽ 8.1505 GHz
-20.56 dB