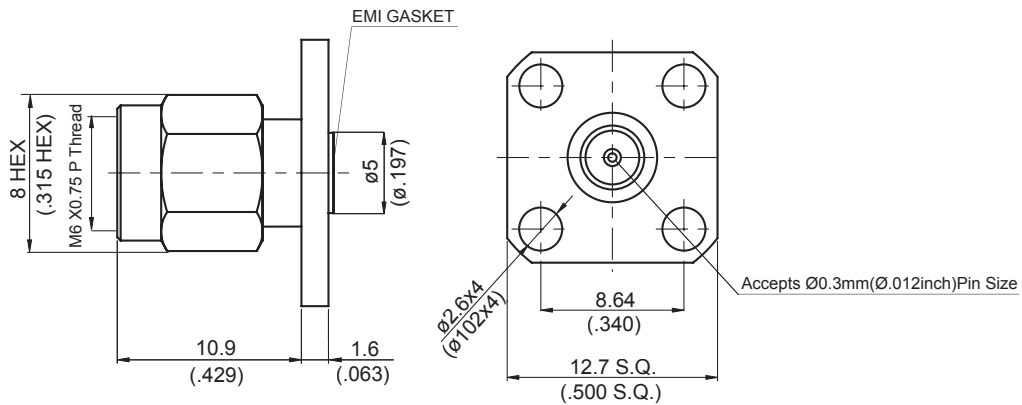


SMA3F46M6-0012

**4-Hole Flange Field Receptacle Plug 50Ω
(Special Thread)**



NOTE: M6 X0.75 P THREAD ; RL ≤ -20dB UP TO 27 GHz

| Parts | Material | Plating (Micro-inch) |
|--------------|-------------------------------|--|
| EMI Gasket | Conductive Silicon Elastomers | |
| Renber Ring | Beryllium Copper | Tin-Zinc-Copper-Alloy 100 Over Copper 50 |
| Gasket | Silicon | |
| Contact Pin | Beryllium Copper | Gold 20 Over Nickel 50 Over Copper 50 |
| Insulator | Teflon | |
| Body | Stainless | Passivated |
| Coupling Nut | Stainless | Passivated |

Weight:

This part number complies with RoHS.

Notice: JYEBAO reserves the right to make modifications deemed appropriate.