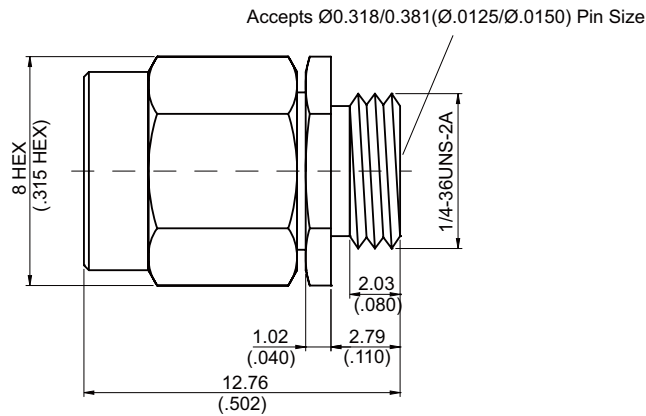


SMA3F00-12/15

SMA Plug Field Replaceable Thread-In Mount 50Ω



Parts	Material	Plating (Micro-inch)
Retainer Ring	Beryllium Copper	Tin-Zinc-Copper-Alloy 100 Over Copper 50
Gasket	Silicon	
Contact Pin	Beryllium Copper	Gold 20 Over Nickel 50 Over Copper 50
Insulator	Teflon	
Body	Stainless Steel	Passivated
Coupling Nut	Stainless Steel	Passivated

Weight: 2.97 g

This part number complies with RoHS.

Notice: JYEBAO reserves the right to make modifications deemed appropriate.