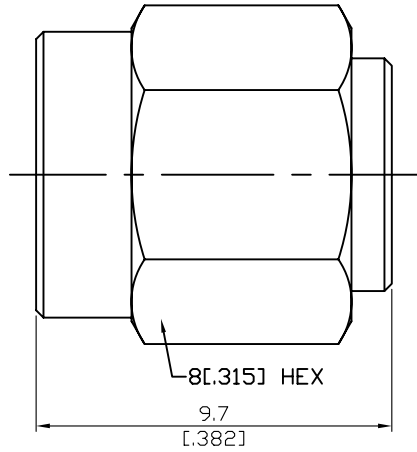


SMA3A00-0000

SMA Plug Open

50Ω



| Parts         | Material         | Plating ( Micro-inch )                                |
|---------------|------------------|---|
| Coupling Nut  | Brass            | Gold 4 Over Nickel-Phosphorus Alloy 80 Over Copper 20 |
| Body          | Brass            | Gold 4 Over Nickel-Phosphorus Alloy 80 Over Copper 20 |
| Gasket        | Silicone         |   |
| Retainer Ring | Beryllium Copper | Tin-Zinc-Copper-Alloy 100 Over Copper 50              |

This part number complies with RoHS.

Notice: JYEBAO reserves the right to make modifications deemed appropriate.