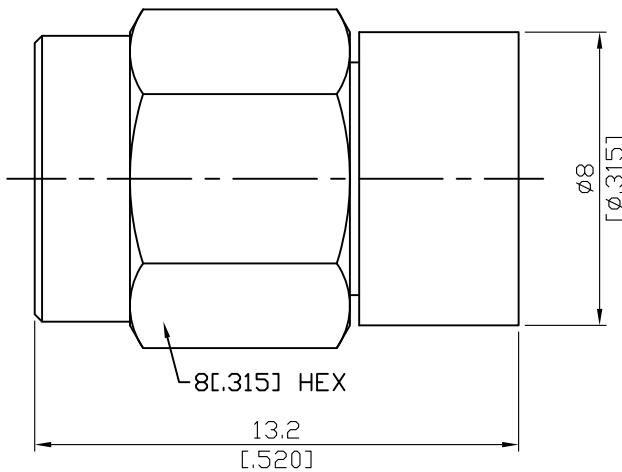


SMA3900S-26.5

2 Watt 50ohm SMA Plug Termination
26.5GHz VSWR 1.3

50Ω



2W average power from -55°C to +70°C linearly derated to 1 Watt at 165°C

Parts	Material	Plating (Micro-inch)
Contact Pin	Beryllium Copper	Gold 4 Over Nickel-Phosphorus Alloy 80 Over Copper 20
Coupling Nut	Stainless Steel	Passivated
Retainer Ring	Beryllium Copper	Tin-Zinc-Copper-Alloy 100 Over Copper 50
Gasket	Silicone	
Insulator	Teflon	
Body	Stainless Steel	Passivated

Weight: 3.85g

This part number complies with RoHS.

Notice: JYEBAO reserves the right to make modifications deemed appropriate.

SMA	SMA3900S-26.5
<div data-bbox="167 347 568 392" style="border: 1px solid black; padding: 2px;">Interface</div> <p>MIL-STD-348B</p> <p>Mechanically compatible with 2.92 & 3.5</p>	
<div data-bbox="167 515 568 560" style="border: 1px solid black; padding: 2px;">Electrical Data</div> <p>Impedance 50Ω</p> <p>Frequency range DC to 26.5GHz</p> <p>VSWR ≤ 1.3 (DC to 26.5GHz)</p> <p>Insertion loss ≤ 0.04 × √f(GHz) dB</p> <p>Insulation resistance ≥ 5000MΩ</p> <p>Contact resistance inner conductor ≤ 3mΩ</p> <p>Contact resistance outer conductor ≤ 2mΩ</p> <p>Dielectric withstanding voltage (at sea level) 1500 V rms</p> <p>Working voltage (at sea level) 500 V rms</p>	
<div data-bbox="167 1057 568 1102" style="border: 1px solid black; padding: 2px;">Mechanical Data</div> <p>Recommended coupling nut torque 7 to 9.5 inch lbs</p> <p>Coupling proof torque 15 inch lbs</p> <p>Coupling nut retention force ≥ 60.7 lbs</p> <p>Contact Captivation-axial ≥ 6.1 lbs</p> <p>Durability (mating) ≥ 500</p>	
<div data-bbox="167 1411 568 1456" style="border: 1px solid black; padding: 2px;">Environmental Data</div> <p>Temperature range -55°C to +165°C</p> <p>Thermal shock MIL-STD-202, Method 107, Condition B</p> <p>Moisture resistance MIL-STD-202, Method 106</p> <p>Corrosion MIL-STD-202, Method 101, Condition B</p> <p>RoHS Compliant</p>	
<div data-bbox="167 1765 568 1809" style="border: 1px solid black; padding: 2px;">Tooling</div>	

Notice: JYEBAO reserves the right to make modifications deemed appropriate.