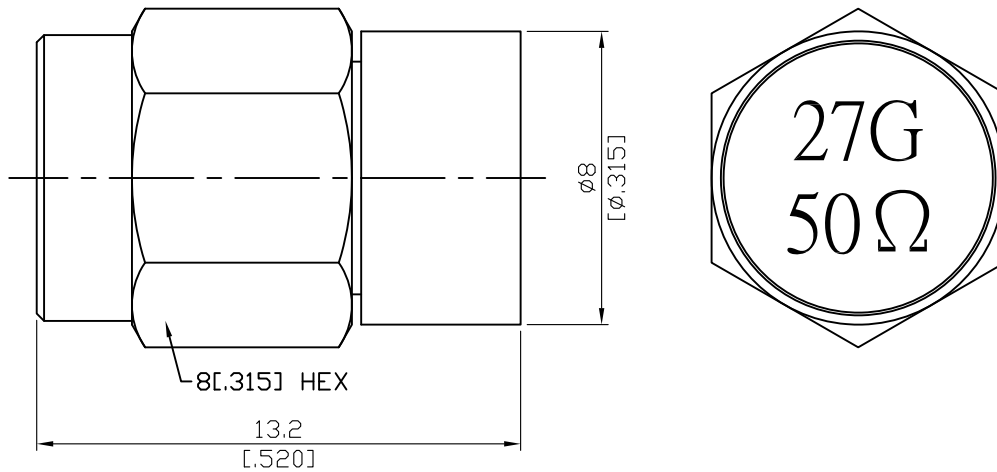


SMA3900S-0027-1.15	2 Watt 50ohm SMA Plug Termination 6GHz VSWR 1.1; 27GHz VSWR 1.15	50Ω
--------------------	---	-----



2W average power from -55°C to +70°C linearly derated to 1 Watt at 165°C

Parts	Material	Plating (Micro-inch)
Gasket	Silicone	
Contact Pin	Beryllium Copper	Gold 4 Over Nickel-Phosphorus Alloy 80 Over Copper 20
Insulator	Teflon	
Body	Stainless Steel	Passivated
Coupling Nut	Stainless Steel	Passivated
Retainer Ring	Beryllium Copper	Tin-Zinc-Copper-Alloy 100 Over Copper 50

Weight: 3.85g	
---------------	--

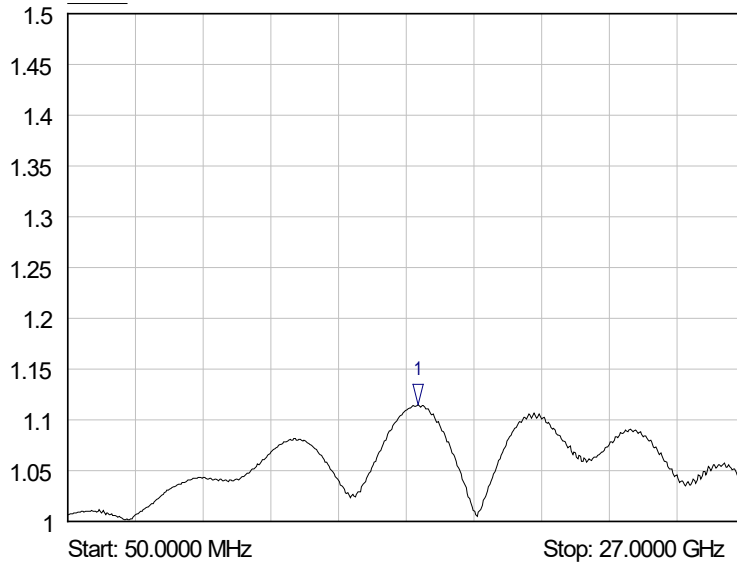
This part number complies with RoHS.

Notice: JYEBAO reserves the right to make modifications deemed appropriate.

SMA	SMA3900S-0027-1.15
<div data-bbox="167 349 568 398" style="border: 1px solid black; padding: 2px;">Interface</div> <p>MIL-STD-348B</p> <p>Mechanically compatible with 2.92 & 3.5</p>	
<div data-bbox="167 510 568 560" style="border: 1px solid black; padding: 2px;">Electrical Data</div> <p>Impedance 50Ω</p> <p>Frequency range DC to 27GHz</p> <p>VSWR ≤ 1.1 (6GHz) ; ≤ 1.15 (27GHz)</p> <p>Insertion loss $\leq 0.04 \times \sqrt{f(\text{GHz})}$ dB</p> <p>Insulation resistance $\geq 5000\text{M}\Omega$</p> <p>Contact resistance inner conductor $\leq 3\text{m}\Omega$</p> <p>Contact resistance outer conductor $\leq 2\text{m}\Omega$</p> <p>Dielectric withstanding voltage (at sea level) 1500 V rms</p> <p>Working voltage (at sea level) 500 V rms</p>	
<div data-bbox="167 1149 568 1198" style="border: 1px solid black; padding: 2px;">Mechanical Data</div> <p>Recommended coupling nut torque 7 to 9.5 inch lbs</p> <p>Coupling proof torque 15 inch lbs</p> <p>Coupling nut retention force ≥ 60.7 lbs</p> <p>Contact Captivation-axial ≥ 6.1 lbs</p> <p>Durability (mating) ≥ 500</p>	
<div data-bbox="167 1500 568 1550" style="border: 1px solid black; padding: 2px;">Environmental Data</div> <p>Temperature range -65°C to +165°C</p> <p>Thermal shock MIL-STD-202, Method 107, Condition B</p> <p>Moisture resistance MIL-STD-202, Method 106</p> <p>Corrosion MIL-STD-202, Method 101, Condition B</p> <p>RoHS Compliant</p>	
<div data-bbox="167 1852 568 1901" style="border: 1px solid black; padding: 2px;">Tooling</div>	

SMA3900S-0027-1.15

SoftPlot Measurement Presentation
VSWR S11



1 S11
▽ 14.0000 GHz
1.11 VSWR