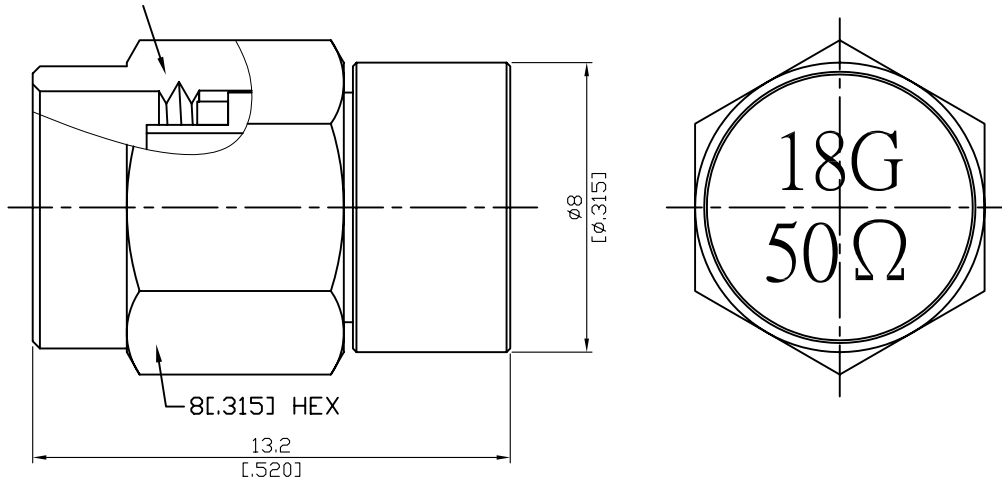


SMA3900QT-0018

Two Watt 50ohm SMA Plug Snap On Termination
18GHz VSWR 1.2

50Ω

- *SMA Plug Snap On Design With Short Thread Ensuring Excellent Mating Reliability.
- *Snap On And Give Short Turn For Proper Mating.



2Watt Average Power From -55°C/+70°C Lineary Derated to 1Watt At 165°C

VSWR 1.20:1 Max Up To 18GHz

Parts	Material	Plating (Micro-inch)
Coupling Nut	Brass	Gold 4 Over Nickel-Phosphorus Alloy 80 Over Copper 20
Body	Brass	Gold 4 Over Nickel-Phosphorus Alloy 80 Over Copper 20
Insulator	Teflon	
Gasket	Silicone	
Retainer Ring	Beryllium Copper	Tin-Zinc-Copper-Alloy 100 Over Copper 50
Contact Pin	Beryllium Copper	Gold 4 Over Nickel-Phosphorus Alloy 80 Over Copper 20
Cover	Brass	Gold 4 Over Nickel-Phosphorus Alloy 80 Over Copper 20

This part number complies with RoHS.

Notice: JYEBAO reserves the right to make modifications deemed appropriate.