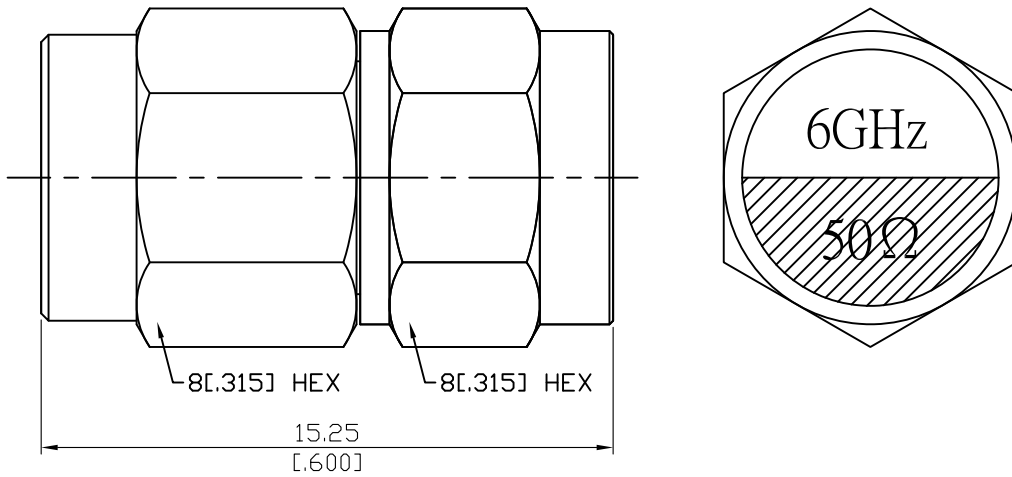


|               |  |     |
|---------------|--|-----|
| SMA3900P-0006 | 2 Watt 50ohm SMA Plug Termination<br>3GHz VSWR 1.1; 6GHz VSWR 1.15 | 50Ω |
|---------------|--|-----|



2W average power from -55°C to +70°C linearly derated to 1 Watt at 165°C

| Parts         | Material         | Plating ( Micro-inch )                                |
|---------------|------------------|---|
| Body          | Brass            | Gold 4 Over Nickel-Phosphorus Alloy 80 Over Copper 20 |
| Coupling Nut  | Brass            | Gold 4 Over Nickel-Phosphorus Alloy 80 Over Copper 20 |
| Contact Pin   | Brass            | Gold 4 Over Nickel-Phosphorus Alloy 80 Over Copper 20 |
| Insulator     | Teflon           |   |
| Gasket        | Silicone         |   |
| Retainer Ring | Beryllium Copper | Tin-Zinc-Copper-Alloy 100 Over Copper 50              |

|               |  |
|---------------|--|
| Weight: 4.32g |  |
|---------------|--|

This part number complies with RoHS.

Notice: JYEBAO reserves the right to make modifications deemed appropriate.

| SMA   | SMA3900P-0006 |
|---|---------------|
| <div data-bbox="167 387 571 432" style="border: 1px solid black; padding: 2px;">Interface</div> <p>MIL-STD-348B</p> <p>Mechanically compatible with 2.92 &amp; 3.5</p>  |               |
| <div data-bbox="167 555 571 600" style="border: 1px solid black; padding: 2px;">Electrical Data</div> <p>Impedance 50Ω</p> <p>Frequency range DC to 6GHz</p> <p>VSWR <math>\leq 1.1</math> (DC to 3GHz); <math>\leq 1.15</math> (3~6GHz)</p> <p>Insertion loss <math>\leq 0.04 \times \sqrt{f(\text{GHz})}</math> dB</p> <p>Insulation resistance <math>\geq 5000\text{M}\Omega</math></p> <p>Contact resistance inner conductor <math>\leq 3\text{m}\Omega</math></p> <p>Contact resistance outer conductor <math>\leq 2\text{m}\Omega</math></p> <p>Dielectric withstanding voltage (at sea level) 1500 V rms</p> <p>Working voltage (at sea level) 500 V rms</p> |               |
| <div data-bbox="167 1093 571 1137" style="border: 1px solid black; padding: 2px;">Mechanical Data</div> <p>Recommended coupling nut torque 4 inch lbs</p> <p>Coupling proof torque 5.3 inch lbs</p> <p>Coupling nut retention force <math>\geq 60.7</math> lbs</p> <p>Contact Captivation-axial <math>\geq 6.1</math> lbs</p> <p>Durability (mating) <math>\geq 100</math></p>  |               |
| <div data-bbox="167 1402 571 1447" style="border: 1px solid black; padding: 2px;">Environmental Data</div> <p>Temperature range -55°C to +165°C</p> <p>Thermal shock MIL-STD-202, Method 107, Condition B</p> <p>Moisture resistance MIL-STD-202, Method 106</p> <p>Corrosion MIL-STD-202, Method 101, Condition B</p> <p>RoHS Compliant</p>  |               |
| <div data-bbox="167 1753 571 1798" style="border: 1px solid black; padding: 2px;">Tooling</div>   |               |

Notice: JYEBAO reserves the right to make modifications deemed appropriate.