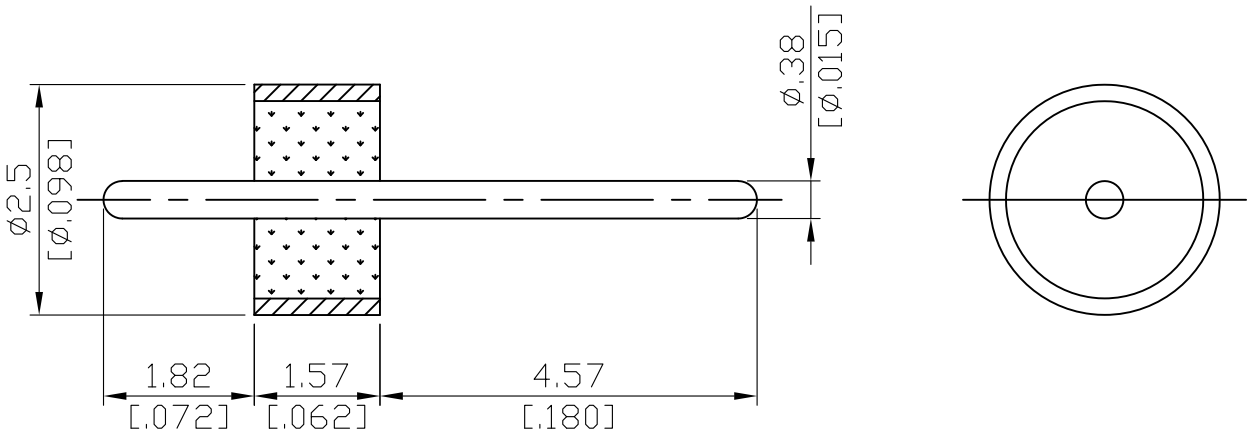


| | | |
|----------|--|-------------|
| SEAL.015 | Hermetic Seal For $\phi 0.38\text{mm}(.015\text{inch})$ Field Replaceable Connector | 50 Ω |
|----------|--|-------------|



Hermiticity of 1×10^{-8} cc/sec helium at 1atm

SEAL.015 can be used with the following connector PN's:

| SMA | 2.92mm | 2.4mm |
|----------------|-------------|----------------|
| SMA8F46EC-EM15 | K8F46C-EM15 | 2.4-8F46C-EM15 |
| SMA8F46ED-EM15 | K8F46D-EM15 | 2.4-8F46D-EM15 |
| SMA8F26EA-EM15 | K8F26A-EM15 | 2.4-8F26A-EM15 |
| SMA8F26EC-EM15 | K8F26B-EM15 | 2.4-8F26B-EM15 |
| SMA8F26EE-EM15 | K8F26E-EM15 | 2.4-8F26E-EM15 |
| SMA8F00-125/15 | | |

| Parts | Material | Plating (Micro-inch) |
|------------|-------------------------------|-------------------------|
| Outer Ring | Kovar | Gold 50 Over Nickel 100 |
| Insulator | Glass (7070 or equivalent) | |
| Pin | Kovar | Gold 50 Over Nickel 100 |

| | |
|--|--|
| | |
|--|--|

This part number complies with RoHS.

Notice: JYEBAO reserves the right to make modifications deemed appropriate.