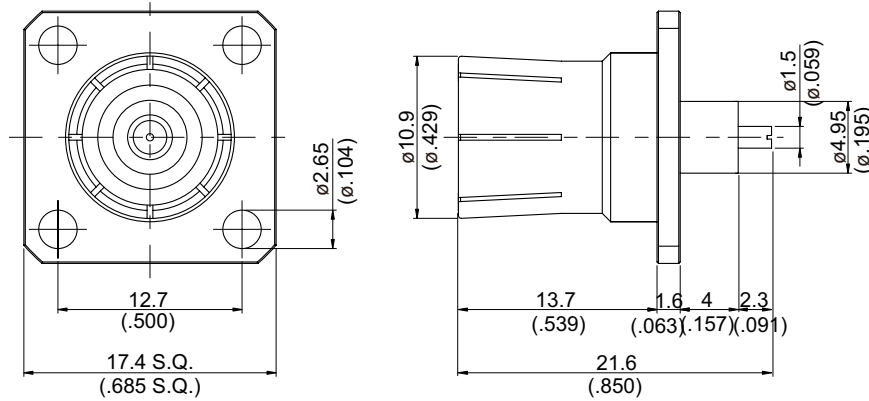
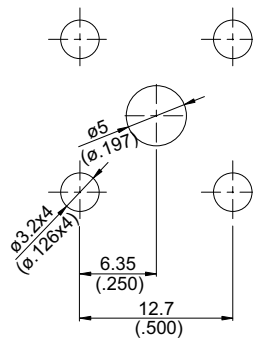


SC3640Q-0000

SC Snap On Plug SQ 17.4mm 4 Hole Flange With Round Contact ($\Phi 1.5$; L=2.3), PTFE L=4; 11GHz VSWR 1.25 50 Ω



MOUNTING HOLE



Parts	Material	Plating(Micro-inch)
Contact Pin	Brass	Gold 4 Over Nickel-Phosphorus Alloy 80 Over Copper 20
Insulator	Teflon	
Body	Brass	Tin-Zinc-Copper-Alloy 100 Over Copper 50

Weight: 8.40 g

This part number complies with RoHS.

Notice: JYEBAO reserves the right to make modification deemed appropriate.

SC	SC3640Q-0000																		
<div data-bbox="118 331 517 376" style="border: 1px solid black; padding: 2px;">Interface</div> <p>Per JYEBAO SC Snap On Plug</p>																			
<div data-bbox="118 495 517 539" style="border: 1px solid black; padding: 2px;">Electrical Data</div> <table border="0" style="width: 100%;"> <tr> <td style="width: 50%;">Impedance</td> <td style="width: 50%;">50Ω</td> </tr> <tr> <td>Frequency range</td> <td>DC to 11Hz</td> </tr> <tr> <td>VSWR</td> <td>≤ 1.25 (DC to 11GHz)</td> </tr> <tr> <td>Insertion loss</td> <td>≤ 0.06 x √f(GHz) dB</td> </tr> <tr> <td>Insulation resistance</td> <td>≥ 5000MΩ</td> </tr> <tr> <td>Contact resistance inner conductor</td> <td>≤ 1.5mΩ</td> </tr> <tr> <td>Contact resistance outer conductor</td> <td>≤ 1.5mΩ</td> </tr> <tr> <td>Dielectric withstanding voltage (at sea level)</td> <td>3000 V rms</td> </tr> <tr> <td>Working Voltage (at sea level)</td> <td>1000 V rms</td> </tr> </table>		Impedance	50Ω	Frequency range	DC to 11Hz	VSWR	≤ 1.25 (DC to 11GHz)	Insertion loss	≤ 0.06 x √f(GHz) dB	Insulation resistance	≥ 5000MΩ	Contact resistance inner conductor	≤ 1.5mΩ	Contact resistance outer conductor	≤ 1.5mΩ	Dielectric withstanding voltage (at sea level)	3000 V rms	Working Voltage (at sea level)	1000 V rms
Impedance	50Ω																		
Frequency range	DC to 11Hz																		
VSWR	≤ 1.25 (DC to 11GHz)																		
Insertion loss	≤ 0.06 x √f(GHz) dB																		
Insulation resistance	≥ 5000MΩ																		
Contact resistance inner conductor	≤ 1.5mΩ																		
Contact resistance outer conductor	≤ 1.5mΩ																		
Dielectric withstanding voltage (at sea level)	3000 V rms																		
Working Voltage (at sea level)	1000 V rms																		
<div data-bbox="118 1039 517 1084" style="border: 1px solid black; padding: 2px;">Mechanical Data</div> <table border="0" style="width: 100%;"> <tr> <td style="width: 50%;">Recommended coupling nut torque</td> <td style="width: 50%;">Not applicable</td> </tr> <tr> <td>Coupling proof torque</td> <td>Not applicable</td> </tr> <tr> <td>Durability (mating)</td> <td>≥ 500</td> </tr> </table>		Recommended coupling nut torque	Not applicable	Coupling proof torque	Not applicable	Durability (mating)	≥ 500												
Recommended coupling nut torque	Not applicable																		
Coupling proof torque	Not applicable																		
Durability (mating)	≥ 500																		
<div data-bbox="118 1391 517 1435" style="border: 1px solid black; padding: 2px;">Environmental Data</div> <table border="0" style="width: 100%;"> <tr> <td style="width: 50%;">Temperature range</td> <td style="width: 50%;">-65°C to +165°C</td> </tr> <tr> <td>Thermal shock</td> <td>MIL-STD-202, Method 107, Condition B</td> </tr> <tr> <td>Moisture resistance</td> <td>MIL-STD-202, Method 106</td> </tr> <tr> <td>Corrosion</td> <td>MIL-STD-202, Method 101, Condition B</td> </tr> <tr> <td>RoHS</td> <td>Compliant</td> </tr> </table>		Temperature range	-65°C to +165°C	Thermal shock	MIL-STD-202, Method 107, Condition B	Moisture resistance	MIL-STD-202, Method 106	Corrosion	MIL-STD-202, Method 101, Condition B	RoHS	Compliant								
Temperature range	-65°C to +165°C																		
Thermal shock	MIL-STD-202, Method 107, Condition B																		
Moisture resistance	MIL-STD-202, Method 106																		
Corrosion	MIL-STD-202, Method 101, Condition B																		
RoHS	Compliant																		
<div data-bbox="118 1749 517 1794" style="border: 1px solid black; padding: 2px;">Tooling</div>																			

Notice: JYEBAO reserves the right to make modifications deemed appropriate.

SC3640Q-0000

S11

