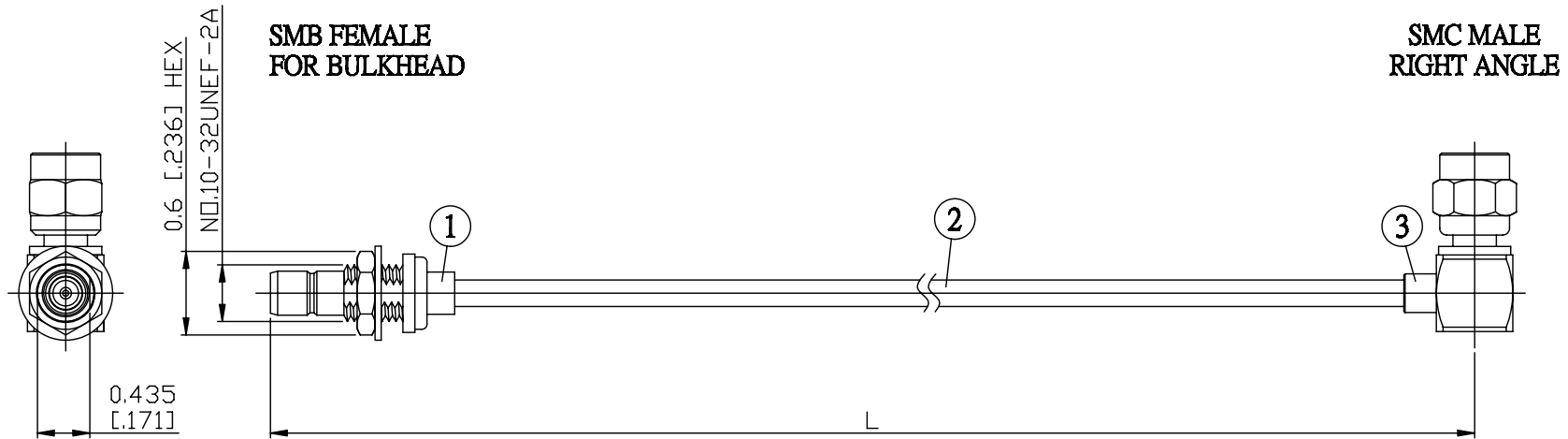


| NO. | COMPONENTS   | IMPEDANCE |
|-----|--|-----------|
| 1   | SMB FEMALE FOR BULKHEAD                                  | 50 OHM    |
| 2   | .085" HANDBENDABLE CABLE<br>(= JYBAO P/N .085SRF-W-P-50) | 50 OHM    |
| 3   | SMC MALE RIGHT ANGLE                                     | 50 OHM    |



| JYE BAO P/N     | L<br>CM (INCH)         |
|-----------------|------------------------|
| S85MC39-85S-15  | 15 (5.906)             |
| S85MC39-85S-30  | 30 (11.811)            |
| S85MC39-85S-50  | 50 (19.685)            |
| S85MC39-85S-100 | 100 (39.370)           |
| S85MC39-85S-150 | 150 (59.055)           |
| S85MC39-85S-200 | 200 (78.740)           |
| S85MC39-85S-XXX | CUSTOM<br>LENGTH IN CM |

MOUNTING HOLE

|  |   |
|--|---|
| LENGTH TOLERANCE<br>IS ±1.5% OR ±10MM,<br>WHICHEVER IS<br>GREATER. | <b>JYE BAO CO., LTD.</b><br>TAIPEI TAIWAN                           |
|  | DESCRIPTION CABLE ASSEMBLY SMB JACK<br>FOR BULKHEAD TO SMC PLUG R/A |
|  | JYE BAO DRAWING NO.<br>S85MC39-85S-XXX                              |