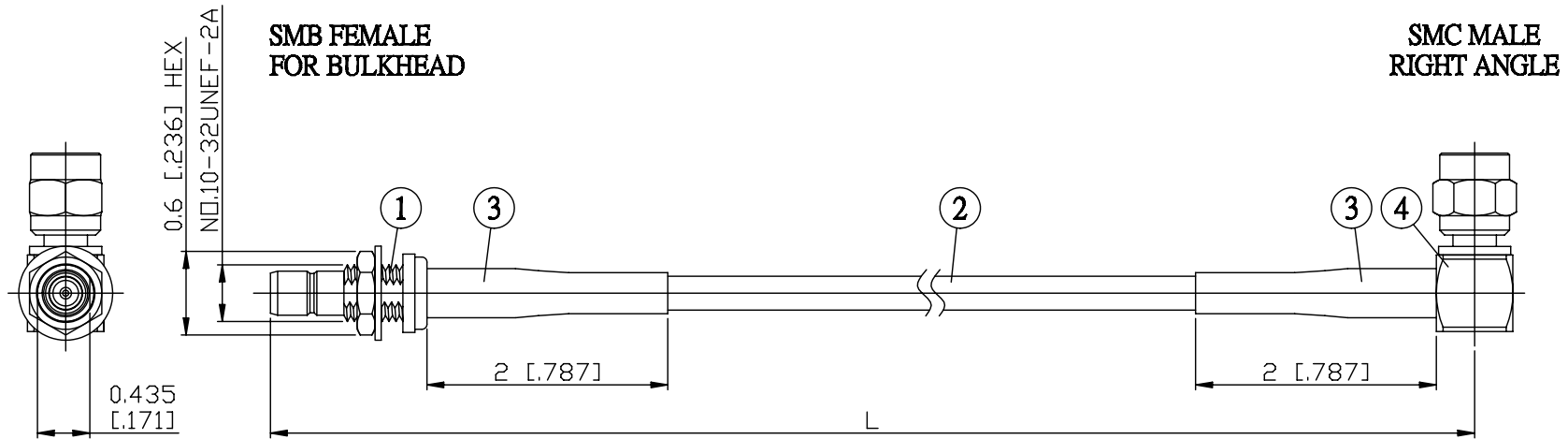
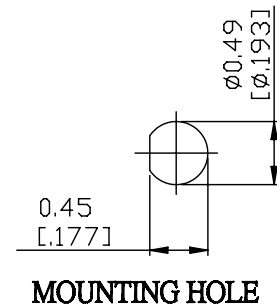


| NO. | COMPONENTS              | IMPEDANCE |
|-----|-------------------------|-----------|
| 1   | SMB FEMALE FOR BULKHEAD | 50 OHM    |
| 2   | RG174                   | 50 OHM    |
| 3   | HEAT SHRINKING TUBE     |           |
| 4   | SMC MALE RIGHT ANGLE    | 50 OHM    |



| JYE BAO P/N     | L<br>CM (INCH)         |
|-----------------|------------------------|
| S85MC39-174-15  | 15 (5.906)             |
| S85MC39-174-30  | 30 (11.811)            |
| S85MC39-174-50  | 50 (19.685)            |
| S85MC39-174-100 | 100 (39.370)           |
| S85MC39-174-150 | 150 (59.055)           |
| S85MC39-174-200 | 200 (78.740)           |
| S85MC39-174-XXX | CUSTOM<br>LENGTH IN CM |



|   |   |
|---|---|
| LENGTH TOLERANCE<br>IS $\pm 1.5\%$ OR $\pm 10\text{MM}$ ,<br>WHICHEVER IS<br>GREATER. | <b>JYE BAO CO., LTD.</b><br>TAIPEI TAIWAN                           |
|   | DESCRIPTION CABLE ASSEMBLY SMB JACK<br>FOR BULKHEAD TO SMC PLUG R/A |
|   | JYE BAO DRAWING NO.<br>S85MC39-174-XXX                              |