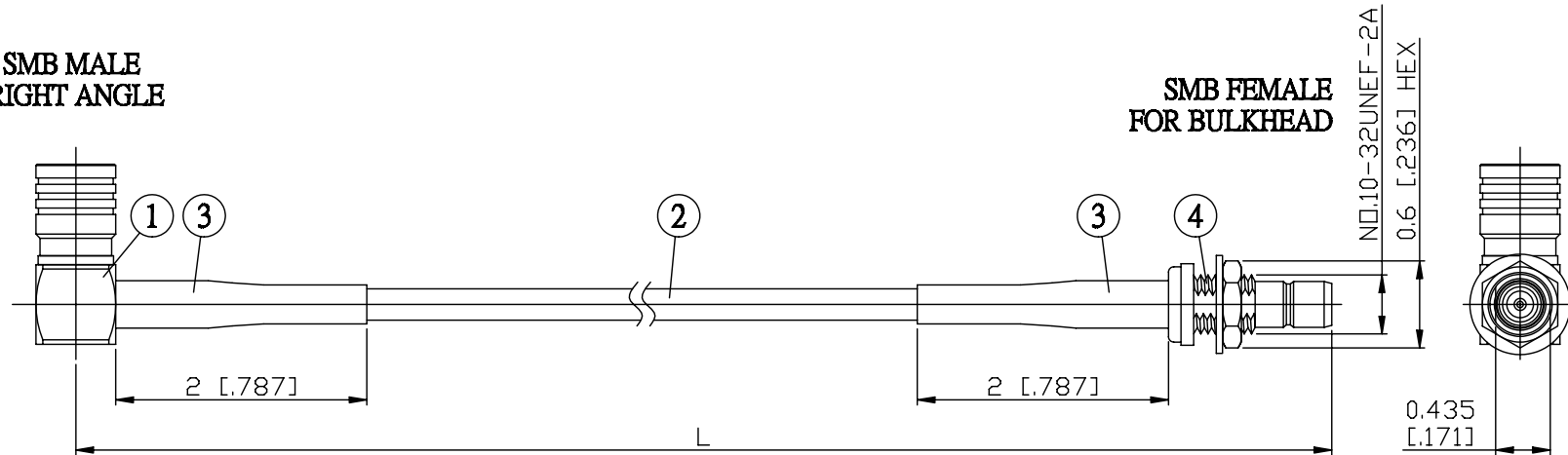


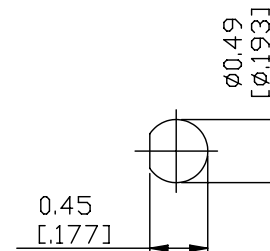
NO.	COMPONENTS	IMPEDANCE
1	SMB MALE RIGHT ANGLE	50 OHM
2	RG316	50 OHM
3	HEAT SHRINKING TUBE	
4	SMB FEMALE FOR BULKHEAD	50 OHM

SMB MALE  
RIGHT ANGLE

SMB FEMALE  
FOR BULKHEAD



JYE BAO P/N	L CM (INCH)
S39S85-316-15	15 (5.906)
S39S85-316-30	30 (11.811)
S39S85-316-50	50 (19.685)
S39S85-316-100	100 (39.370)
S39S85-316-150	150 (59.055)
S39S85-316-200	200 (78.740)
S39S85-316-XXX	CUSTOM LENGTH IN CM



MOUNTING HOLE

<p>LENGTH TOLERANCE IS ±1.5% OR ±10MM, WHICHEVER IS GREATER.</p>	<p><b>JYE BAO CO., LTD.</b></p> <p>TAIPEI TAIWAN</p>
	<p>DESCRIPTION CABLE ASSEMBLY SMB PLUG R/A TO SMB FEMALE FOR BULKHEAD</p>
	<p>JYE BAO DRAWING NO. S39S85-316-XXX</p>