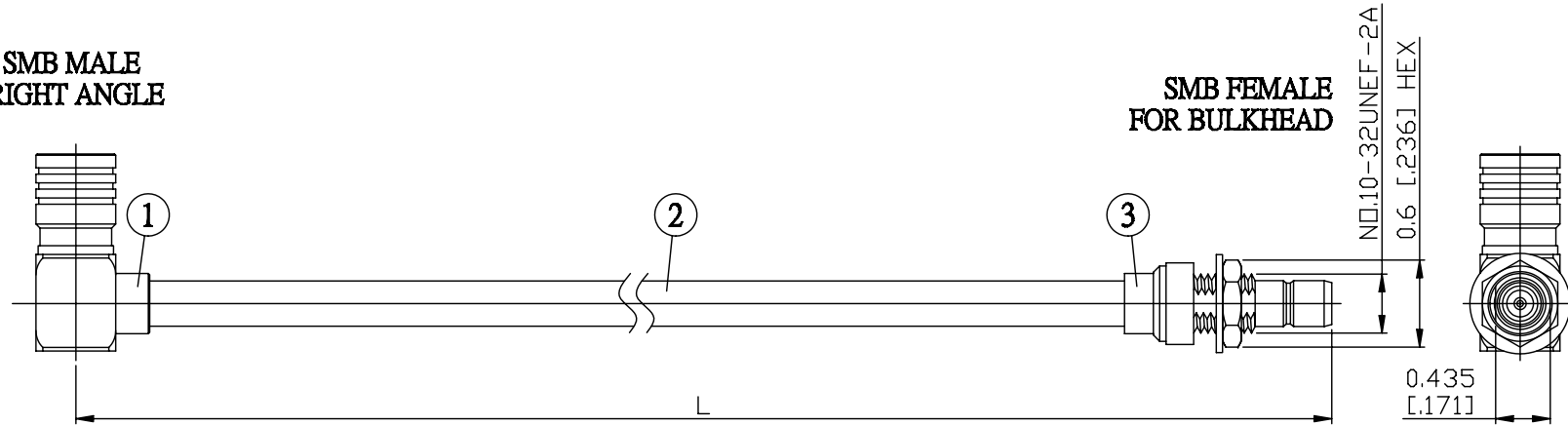


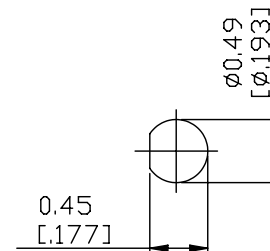
NO.	COMPONENTS	IMPEDANCE
1	SMB MALE RIGHT ANGLE	50 OHM
2	.141" HANDBENDABLE CABLE (= JYBAO P/N .141SRF-W-P-50)	50 OHM
3	SMB FEMALE FOR BULKHEAD	50 OHM

SMB MALE
RIGHT ANGLE

SMB FEMALE
FOR BULKHEAD



JYE BAO P/N	L CM (INCH)
S39S85-141S-15	15 (5.906)
S39S85-141S-30	30 (11.811)
S39S85-141S-50	50 (19.685)
S39S85-141S-100	100 (39.370)
S39S85-141S-150	150 (59.055)
S39S85-141S-200	200 (78.740)
S39S85-141S-XXX	CUSTOM LENGTH IN CM



MOUNTING HOLE

<p>LENGTH TOLERANCE IS ±1.5% OR ±10MM, WHICHEVER IS GREATER.</p>	<p>JYE BAO CO., LTD.</p> <p>TAIPEI TAIWAN</p>
	<p>DESCRIPTION CABLE ASSEMBLY SMB PLUG R/A TO SMB FEMALE FOR BULKHEAD</p>
	<p>JYE BAO DRAWING NO. S39S85-141S-XXX</p>