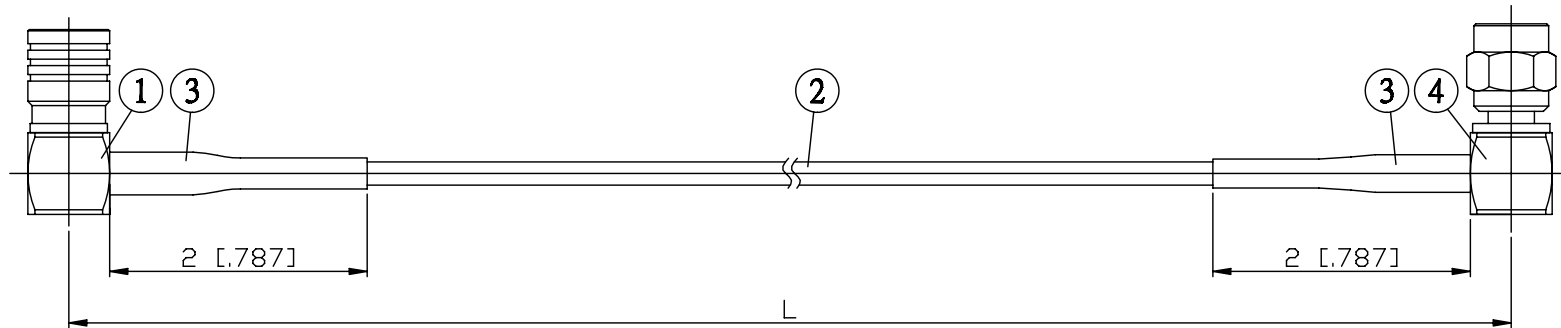


NO.	COMPONENTS	IMPEDANCE
1	SMB MALE RIGHT ANGLE	50 OHM
2	RG178	50 OHM
3	HEAT SHRINKING TUBE	
4	SMC MALE RIGHT ANGLE	50 OHM

SMB MALE  
RIGHT ANGLE

SMC MALE  
RIGHT ANGLE



JYE BAO P/N	L CM (INCH)
S39MC39-178-15	15 (5.906)
S39MC39-178-30	30 (11.811)
S39MC39-178-50	50 (19.685)
S39MC39-178-100	100 (39.370)
S39MC39-178-150	150 (59.055)
S39MC39-178-200	200 (78.740)
S39MC39-178-XXX	CUSTOM LENGTH IN CM

LENGTH TOLERANCE IS $\pm 1.5\%$ OR $\pm 10\text{MM}$ , WHICHEVER IS GREATER.	<b>JYE BAO CO., LTD.</b> TAIPEI TAIWAN
	DESCRIPTION CABLE ASSEMBLY SMB PLUG R/A TO SMC PLUG R/A
	JYE BAO DRAWING NO. S39MC39-178-XXX