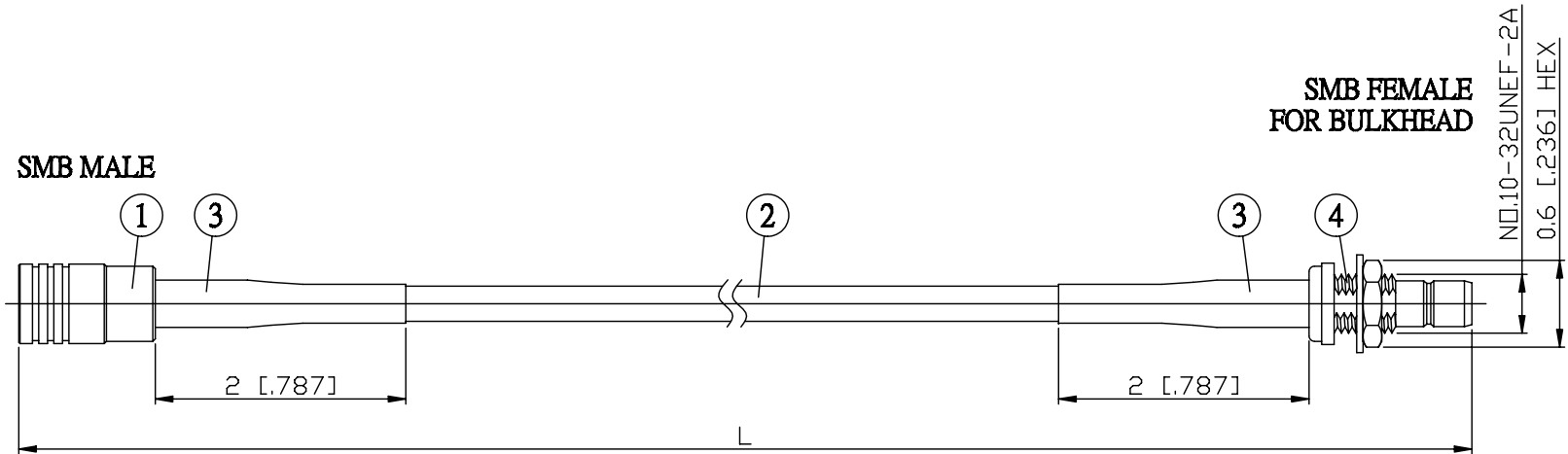
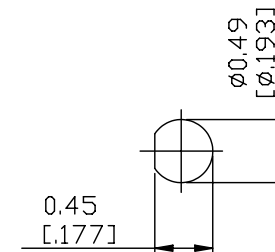


NO.	COMPONENTS	IMPEDANCE
1	SMB MALE	50 OHM
2	JBY100	50 OHM
3	HEAT SHRINKING TUBE	
4	SMB FEMALE FOR BULKHEAD	50 OHM



JYE BAO P/N	L CM (INCH)
S30S85-L100-15	15 (5.906)
S30S85-L100-30	30 (11.811)
S30S85-L100-50	50 (19.685)
S30S85-L100-100	100 (39.370)
S30S85-L100-150	150 (59.055)
S30S85-L100-200	200 (78.740)
S30S85-L100-XXX	CUSTOM LENGTH IN CM



MOUNTING HOLE

<p>LENGTH TOLERANCE IS ±1.5% OR ±10MM, WHICHEVER IS GREATER.</p>	<p>JYE BAO CO., LTD. TAIPEI TAIWAN</p>	
	DESCRIPTION	CABLE ASSEMBLY SMB PLUG TO SMB JACK FOR BULKHEAD
	JYE BAO DRAWING NO.	S30S85-L100-XXX