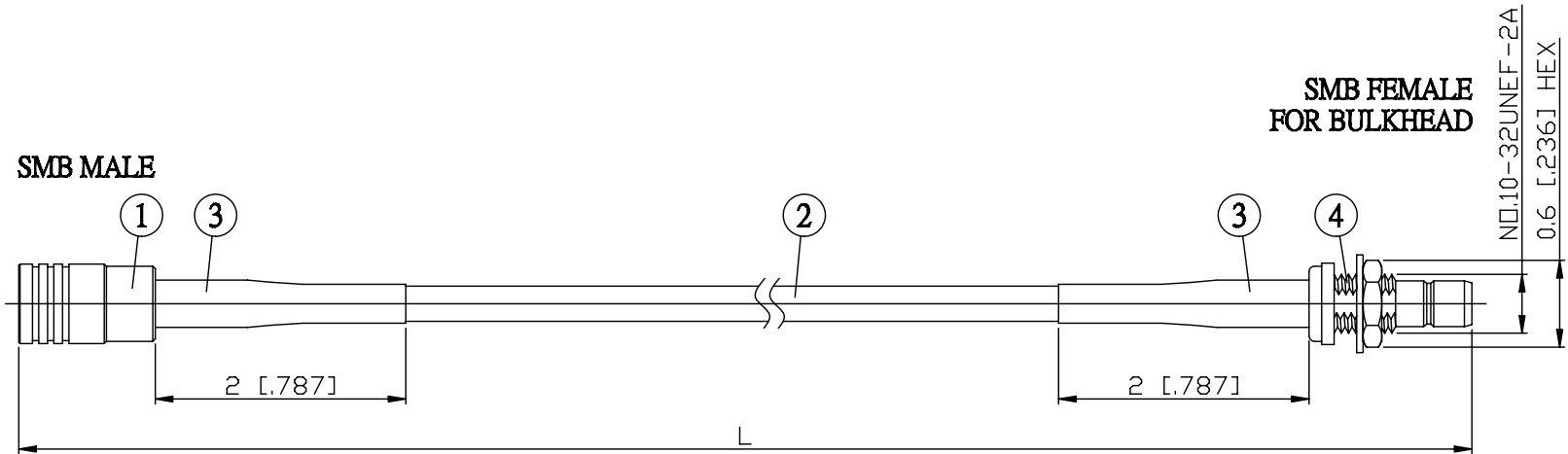
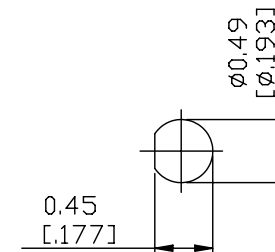


NO.	COMPONENTS	IMPEDANCE
1	SMB MALE	50 OHM
2	RG174	50 OHM
3	HEAT SHRINKING TUBE	
4	SMB FEMALE FOR BULKHEAD	50 OHM



JYE BAO P/N	L CM (INCH)
S30S85-174-15	15 (5.906)
S30S85-174-30	30 (11.811)
S30S85-174-50	50 (19.685)
S30S85-174-100	100 (39.370)
S30S85-174-150	150 (59.055)
S30S85-174-200	200 (78.740)
S30S85-174-XXX	CUSTOM LENGTH IN CM



MOUNTING HOLE

<p>LENGTH TOLERANCE IS ±1.5% OR ±10MM, WHICHEVER IS GREATER.</p>	<p>JYE BAO CO., LTD.</p> <p>TAIPEI TAIWAN</p>
	<p>DESCRIPTION CABLE ASSEMBLY SMB PLUG TO SMB JACK FOR BULKHEAD</p>
	<p>JYE BAO DRAWING NO. S30S85-174-XXX</p>