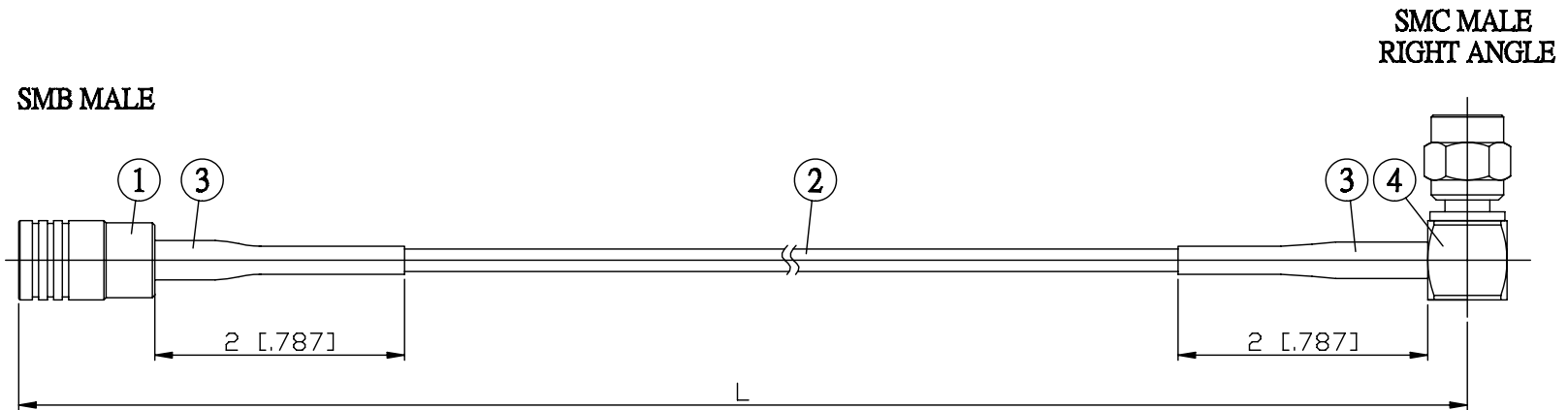


NO.	COMPONENTS	IMPEDANCE
1	SMB MALE	50 OHM
2	RG178	50 OHM
3	HEAT SHRINKING TUBE	
4	SMC MALE RIGHT ANGLE	50 OHM



JYE BAO P/N	L CM (INCH)
S30MC39-178-15	15 (5.906)
S30MC39-178-30	30 (11.811)
S30MC39-178-50	50 (19.685)
S30MC39-178-100	100 (39.370)
S30MC39-178-150	150 (59.055)
S30MC39-178-200	200 (78.740)
S30MC39-178-XXX	CUSTOM LENGTH IN CM

LENGTH TOLERANCE IS ±1.5% OR ±10MM, WHICHEVER IS GREATER.	JYE BAO CO., LTD. TAIPEI TAIWAN
	DESCRIPTION CABLE ASSEMBLY SMB PLUG TO SMC PLUG R/A
	JYE BAO DRAWING NO. S30MC39-178-XXX