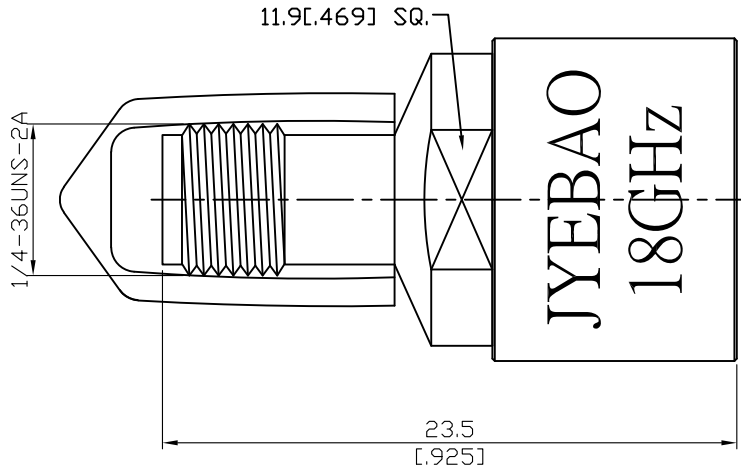


S-SMA-F-18G

SMA Jack 50ohm Short
18GHz 0.2dB

50Ω



SHORT				
Frequency Range	DC-18GHz			
Impedance	50Ω			
Offset length	Agilent	Anritsu	Rohde&Schwarz	
	16.70ps	5.01mm	5.01mm	
Inductance	Agilent/Anritsu		Rohde&Schwarz	
	L0	(1E-12) H	8.000 pH	8.0000000
L1	(1E-24) H/Hz	-995.000	pH/GHz	-0.9950000
L2	(1E-33) H/Hz ²	33.000	pH/GHz ²	0.0330000
L3	(1E-42) H/Hz ³	-0.290	pH/GHz ³	-0.0002900
Phase Error				
DC-6GHz	≤1°			
6-18GHz	≤3°			
Return Loss				
DC-6GHz	≤0.10dB			
6-18GHz	≤0.20dB			

Notes:

1. Temperature range for optimal results: +20 °C to +26 °C
2. Storage temperature range: -20 °C to +75°C
3. When not in use put on cap to keep connector clean
4. Return loss test results shipped along with goods (example below)
5. Use with Jyebao open O-SMA-F-18G

Parts	Material	Plating (Micro-inch)
Cover	Aluminium	Anodized(Green)
Contact Pin	Beryllium Copper	Gold 4 Over Nickel-Phosphorus Alloy 80 Over Copper 20
Body	Stainless Steel	Passivated
Cap	PVC	
Dielectric	Teflon	

This part number complies with RoHS.

Notice: JYEBAO reserves the right to make modifications deemed appropriate.

S-SMA-F-18G

SHORT return loss & phase error

