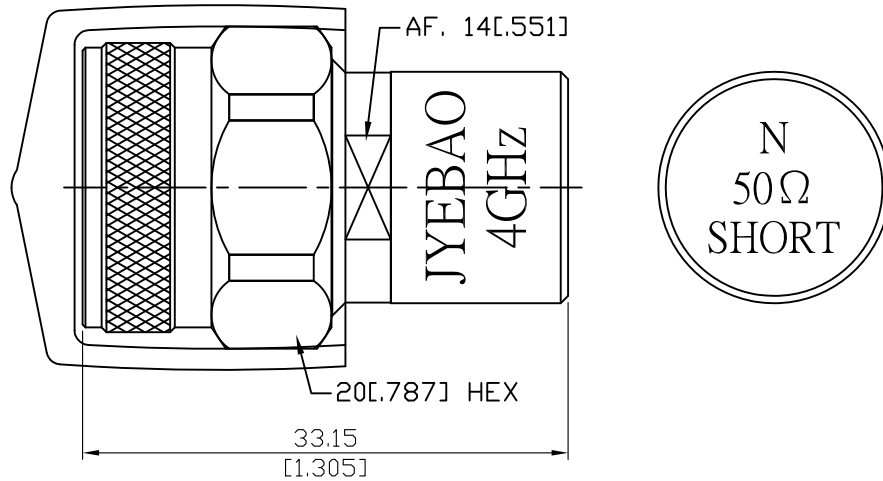


S-N-M-50-4G	N Plug 50ohm Short 4GHz 0.1dB	50Ω
-------------	----------------------------------	-----



SHORT				
Frequency Range	DC-4GHz			
Impedance	50Ω			
Offset length	Agilent	Anritsu	Rohde&Schwarz	
	59.44ps	17.83mm	17.83mm	
Inductance	Agilent/Anritsu		Rohde&Schwarz	
	L0	(1E-12) H	0.000	pH
L1	(1E-24) H/Hz	0.000	pH/GHz	0.0000000
L2	(1E-33) H/Hz <sup>2</sup>	0.000	pH/GHz <sup>2</sup>	0.0000000
L3	(1E-42) H/Hz <sup>3</sup>	0.000	pH/GHz <sup>3</sup>	0.0000000
Phase Error	DC-4GHz ≤1.5°			
Return Loss	DC-4GHz ≤0.10dB			

**Notes:**

1. Temperature range for optimal results: +20 °C to +26 °C
2. Storage temperature range: -20 °C to +75°C
3. When not in use put on cap to keep connector clean
4. Return loss test results shipped along with goods
5. Use with Jyebao open O-N-M-50-4G

Parts	Material	Plating ( Micro-inch )
Cover	Aluminium	Anodized(Green)
Retainer Ring	Beryllium Copper	Tin-Zinc-Copper-Alloy 100 Over Copper 50
Gasket	Silicone	
Contact Pin	Beryllium Copper	Gold 4 Over Nickel-Phosphorus Alloy 80 Over Copper 20
Body	Brass	Tin-Zinc-Copper-Alloy 100 Over Copper 50
Coupling Nut	Stainless	Passivated
Cap	PVC	

--	--

This part number complies with RoHS.  
 Notice: JYEBAO reserves the right to make modifications deemed appropriate.

# S-N-M-50-4G

## SHORT return loss & phase error

