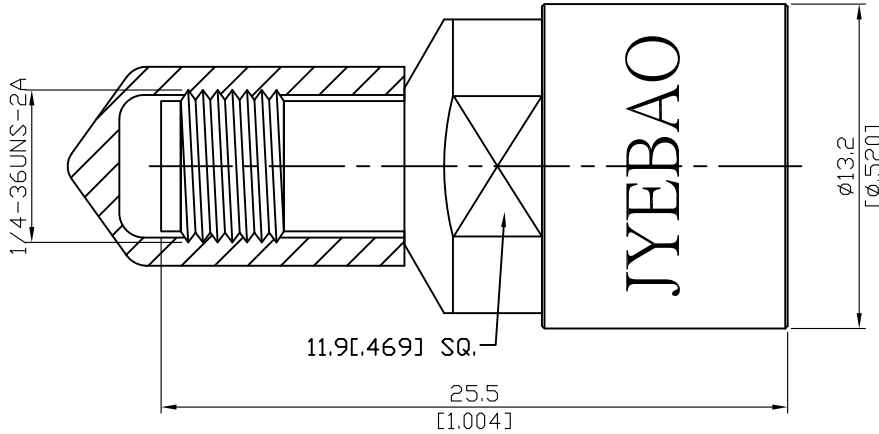


S-3.5-F-26.5G

3.5mm Jack 50ohm Short  
26.5GHz 0.2dB

50Ω



SHORT				
Frequency Range	DC-26.5GHz			
Impedance	50Ω			
Offset length	Agilent	Anritsu	Rohde&Schwarz	
	31.78499ps	9.5mm	9.5mm	
Inductance	Agilent/Anritsu		Rohde&Schwarz	
	L0	(1E-12) H	2.07650	pH
L1	(1E-24) H/Hz	-108.53999	pH/GHz	-0.1085400
L2	(1E-33) H/Hz <sup>2</sup>	2.17050	pH/GHz <sup>2</sup>	0.0021705
L3	(1E-42) H/Hz <sup>3</sup>	-0.01000	pH/GHz <sup>3</sup>	-0.0000100
Phase Error				
DC-3GHz	≤0.5°			
3-8GHz	≤1°			
8-26.5GHz	≤1.75°			
Return Loss				
DC-8GHz	≤0.10dB			
8-20GHz	≤0.15dB			
20-26.5GHz	≤0.20dB			

Notes:

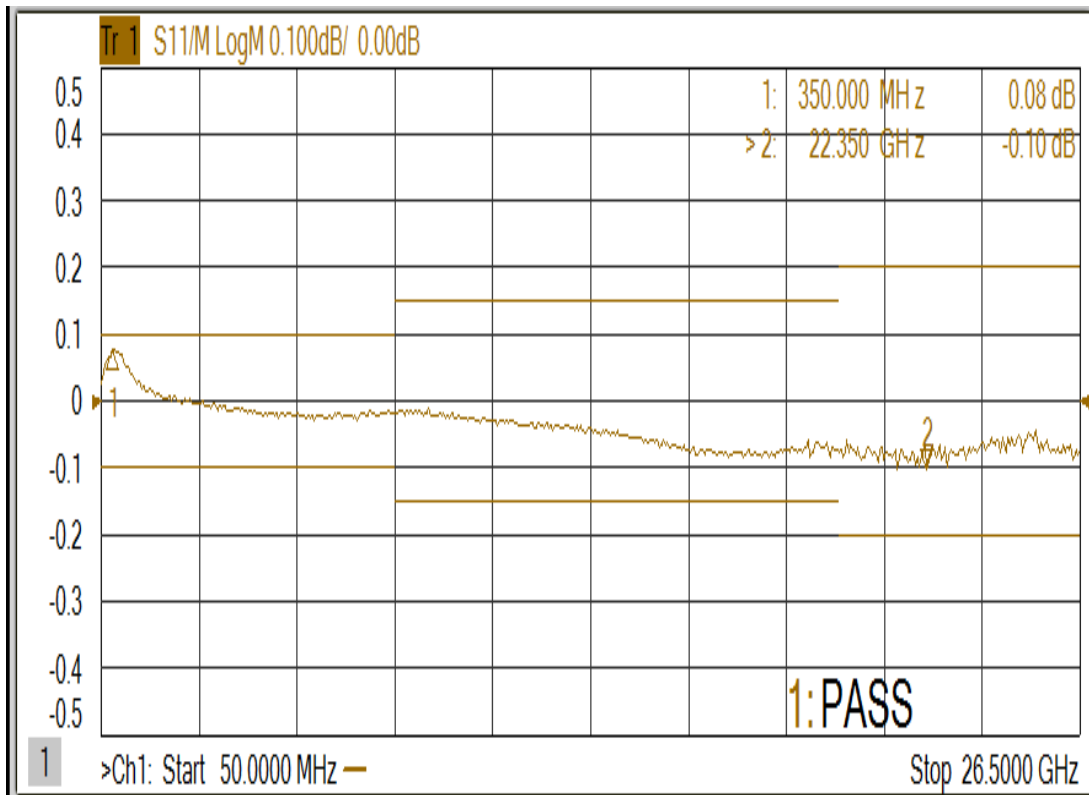
1. Temperature range for optimal results: +20 °C to +26 °C
2. Storage temperature range: -20 °C to +75°C
3. When not in use put on cap to keep connector clean
4. Return loss test results shipped along with goods (example below)
5. Use with Jyebao open O-3.5-F-26.5G

Parts	Material	Plating ( Micro-inch )
Cover	Aluminium	Anodized(Green)
Contact Pin	Beryllium Copper	Gold 4 Over Nickel-Phosphorus Alloy 80 Over Copper 20
Body	Stainless Steel	Passivated
Cap	PVC	

This part number complies with RoHS.

Notice: JYEBAO reserves the right to make modifications deemed appropriate.

**SHORT return loss**



# PHASE ERROR

1.2

SHORT

