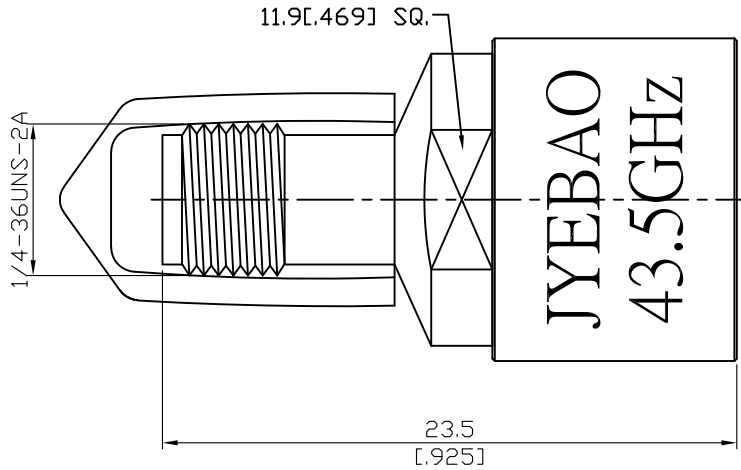


S-2.92-F-43.5G

2.92mm Jack 50ohm Short
43.5GHz 0.25dB

50Ω



SHORT				
FREQUENCY RANGE	DC-43.5GHz			
IMPEDANCE	50Ω			
OFFSET LENGTH	Agilent	Anritsu	Rohde & Schwarz	
	16.70ps	5.01mm	5.01mm	
INDUCTANCE	Agilent / Anritsu		Rohde & Schwarz	
	L0	(1E-12) H	8.000 pH	8.0000000
L1	(1E-24) H/Hz	-995.000	pH/GHz	-0.9950000
L2	(1E-33) H/Hz ²	33.000	pH/GHz ²	0.0330000
L3	(1E-42)H/Hz ³	-0.290	pH/GHz ³	-0.0002900
PHASE ERROR	DC-6GHz	≤ 1°		
	6-26.5GHz	≤ 3°		
	26.5-40GHz	≤ 5°		
	40-43.5GHz	≤ 6°		
RETURN LOSS	DC-18GHz	≤ 0.10dB		
	18-43.5GHz	≤ 0.25dB		

Notes:

1. Temperature range for optimal results: +20°C to +26°C
2. Storage temperature range: -20°C to +75°C
3. When not in use put on cap to keep connector clean
4. Return loss test results shipped along with goods (example below)
5. Use with Jyebao open O-2.92-F-43.5G

Parts	Material	Plating (Micro-inch)
Cover	Aluminium	Anodized(Green)
Contact Pin	Beryllium Copper	Gold 4 Over Nickel-Phosphorus Alloy 80 Over Copper 20
Body	Stainless Steel	Passivated
Cap	PVC	

This part number complies with RoHS.

Notice: JYEBAO reserves the right to make modifications deemed appropriate.

