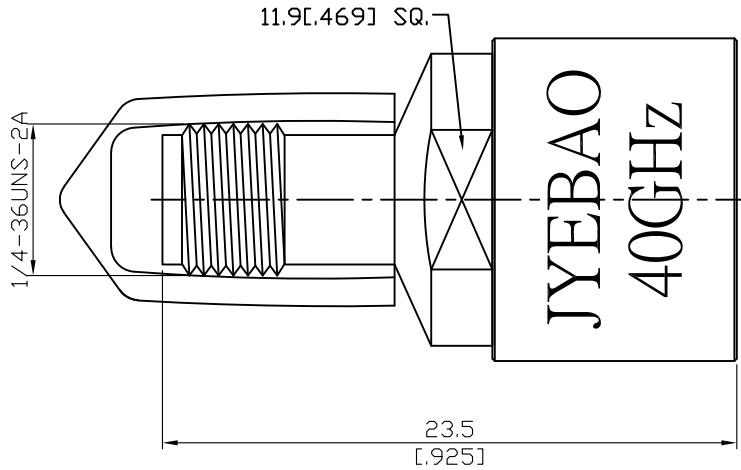


S-2.92-F-40G

2.92mm Jack 50ohm Short
40GHz 0.2dB

50Ω



SHORT				
Frequency Range	DC-40GHz			
Impedance	50Ω			
Offset length	Agilent	Anritsu	Rohde&Schwarz	
	16.70ps	5.01mm	5.01mm	
Inductance	Agilent/Anritsu		Rohde&Schwarz	
	L0	(1E-12) H	8.000	pH
L1	(1E-24) H/Hz	-995.000	pH/GHz	-0.9950000
L2	(1E-33) H/Hz ²	33.000	pH/GHz ²	0.0330000
L3	(1E-42) H/Hz ³	-0.290	pH/GHz ³	-0.0002900
Phase Error	DC-6GHz			
	≤1°			
	6-26.5GHz			
≤2°				
26.5-40Ghz				
≤3°				
Return Loss	DC-18GHz			
	≤0.10dB			
	18-40GHz			
≤0.20dB				

Notes:

1. Temperature range for optimal results: +20 °C to +26 °C
2. Storage temperature range: -20 °C to +75°C
3. When not in use put on cap to keep connector clean
4. Return loss test results shipped along with goods (example below)
5. Use with Jyebao open O-2.92-F-40G

Parts	Material	Plating (Micro-inch)
Cover	Aluminium	Anodized(Green)
Contact Pin	Beryllium Copper	Gold 4 Over Nickel-Phosphorus Alloy 80 Over Copper 20
Body	Stainless Steel	Passivated
Cap	PVC	

This part number complies with RoHS.

Notice: JYEBAO reserves the right to make modifications deemed appropriate.

Test equipment	MS4647B NETWORK ANALYZER	
Return Loss	Test result	
Short	<p>SoftPlot Measurement Presentation</p> <p>S22</p> <p>1 S22 ∇ 27.6300 GHz 0.08 dB</p> <p>2 S22 ∇ 31.6800 GHz -0.08 dB</p> <p>Start: 10.0000 MHz Stop: 40.0000 GHz</p> <p>PASS</p>	

Test equipment	MS4647B NETWORK ANALYZER	
Phase error	TOSLKF50A-40	S-2.92-F-40G
Short	<p>SoftPlot Measurement Presentation</p> <p>S22</p> <p>1 S22 ∇ 6.0000 GHz 107.75 degs</p> <p>2 S22 ∇ 26.5000 GHz -138.11 degs</p> <p>3 S22 ∇ 40.0000 GHz 58.06 degs</p> <p>Start: 10.0000 MHz Stop: 40.0000 GHz</p>	<p>SoftPlot Measurement Presentation</p> <p>S22</p> <p>1 S22 ∇ 6.0000 GHz 108.17 degs</p> <p>2 S22 ∇ 26.5000 GHz -138.88 degs</p> <p>3 S22 ∇ 40.0000 GHz 58.17 degs</p> <p>Start: 10.0000 MHz Stop: 40.0000 GHz</p>