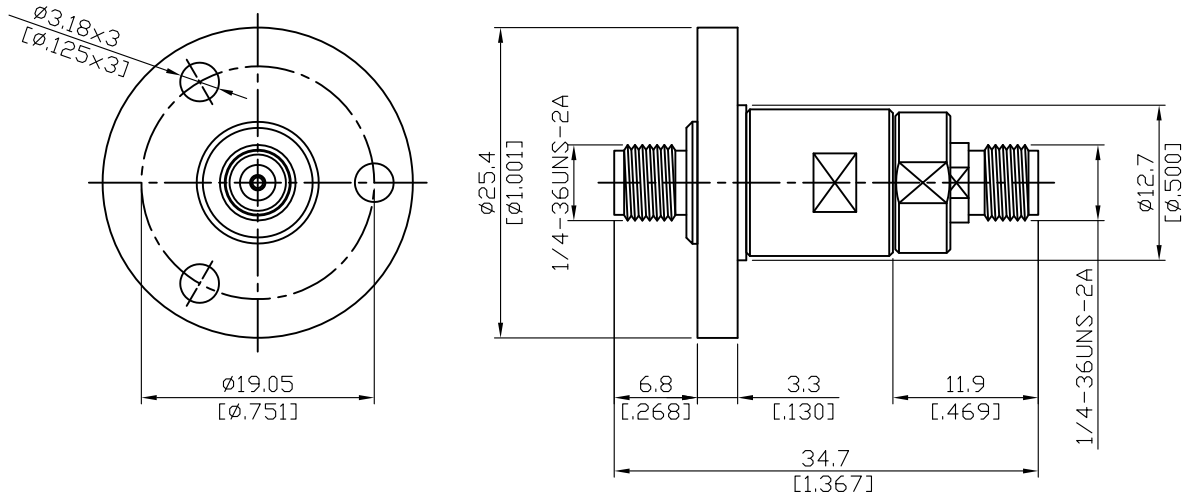


<b>RJS-K8K8-P3</b>	<b>2.92mm Jack To 2.92mm Jack 3 Hole Flange Rotary Joint; 40GHz</b>	<b>50Ω</b>
--------------------	-------------------------------------------------------------------------	------------



Freq(GHz)	VSWR max	VSWR-WOW	Insertion loss (dB)	Phase-WOW	Peak Power	Average Power
DC~18(GHz)	1.4	≤0.03	≤0.6	≤1.5°	1500	75
18~26.5(GHz)	1.6	≤0.05	≤1.0	≤3°	500	50
26.5~40(GHz)	1.8	≤0.1	≤1.2	≤6°	300	30

**NOTE:**

- (1) VSWR-WOW:  
VSWR rotational effect(WOW) is the change in VSWR that occurs rotation with around its axis and is the difference between the maximum and minimum values observed in one 360° rotation.
- (2) Insertion Loss-WOW:  
Insertion loss rotational effect(WOW) is the change in insertion loss that occurs with rotation and is the difference between the maximum and minimum values observed in one 360° rotation.
- (3) Phase-WOW:  
Phase rotational rotational effect(WOW) is the change in Phase with rotation around its axis and is the difference between the maximum and minimum values observed in one 360° rotation.
- (4) Continuous rotational speed (rpm): 100
- (5) Operating temp: -40°C to +70°C

Parts	Material	Plating ( Micro-inch )
Spring	Stainless Steel	Passivated
Contact Pin	Beryllium Copper	Gold 4 Over Nickel-Phosphorus Alloy 80 Over Copper 20
Insulator	PEI	
Body	Stainless Steel	Passivated
Flange	Stainless Steel	Passivated

Weight: 27.27 g	
-----------------	--

This part number complies with RoHS.  
 Notice: JYEBAO reserves the right to make modifications demand appropriate.