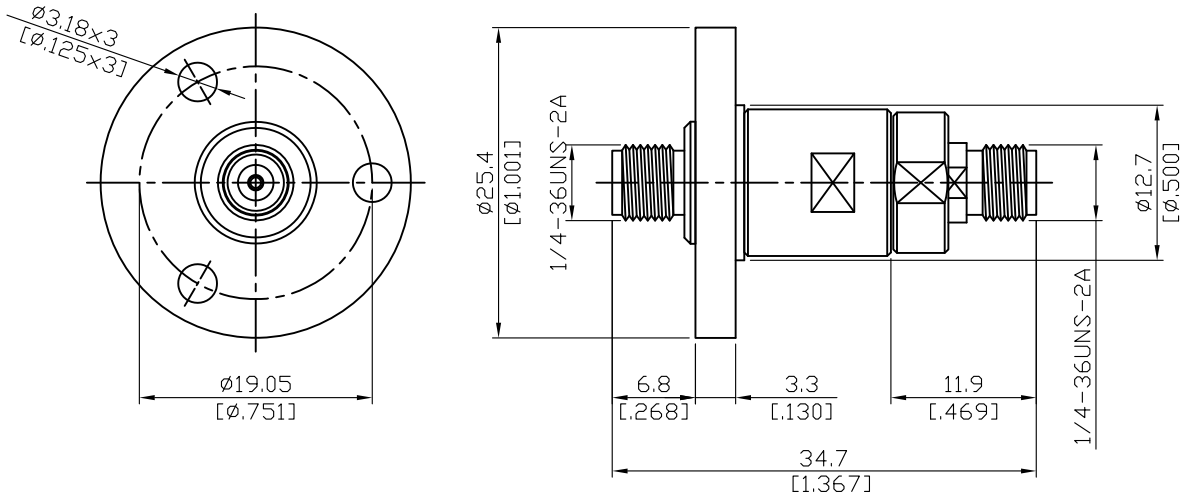


RJS-A8A8-P3-26.5

Rotary Joint SMA Jack To SMA Jack For
Panel Receptacle

50Ω



| Freq(GHz) | VSWR max | VSWR-WOW | Insertion loss (dB) | Insertion loss-WOW(dB) | Phase-WOW |
|--------------|----------|----------|---------------------|------------------------|-----------|
| DC~6(GHz) | 1.15 | ≤ 0.01 | ≤ 0.3 | ≤ 0.03 | ≤ 0.5° |
| 6~12.4(GHz) | 1.3 | ≤ 0.02 | ≤ 0.4 | ≤ 0.05 | ≤ 1° |
| 12.4~18(GHz) | 1.4 | ≤ 0.03 | ≤ 0.6 | ≤ 0.1 | ≤ 1.5° |
| 18~26.5(GHz) | 1.5 | ≤ 0.05 | ≤ 0.8 | ≤ 0.15 | ≤ 2° |

NOTE:

(1) VSWR-WOW:

VSWR rotational effect(WOW) is the change in VSWR that occurs rotation with around its axis and is the difference between the maximum and minimum values observed in one 360° rotation.

(2) Insertion Loss-WOW:

Insertion loss rotational effect(WOW) is the change in insertion loss that occurs with rotation and is the difference between the maximum and minimum values observed in one 360° rotation.

(3) Phase-WOW:

Phase rotational rotational effect(WOW) is the change in Phase with rotation around its axis and is the difference between the maximum and minimum values observed in one 360° rotation.

(4) Average power: 1GHz/200W ; 15GHz/40W ; 18GHz/30W.

(5) Peak power: 18GHz/3000W.

(6) Continuous rotational speed (rpm): 100

(7) Operating temp: -40°C to +70°C

| Parts | Material | Plating (Micro-inch) |
|-------------|------------------|-------------------------------------------------------|
| Spring | Stainless Steel | Passivated |
| Contact Pin | Beryllium Copper | Gold 4 Over Nickel-Phosphorus Alloy 80 Over Copper 20 |
| Insulator | Teflon | |
| Body | Stainless Steel | Passivated |
| Flange | Stainless Steel | Passivated |

Weight: 27.27 g

This part number complies with RoHS.

Notice: JYEBAO reserves the right to make modifications demand appropriate.