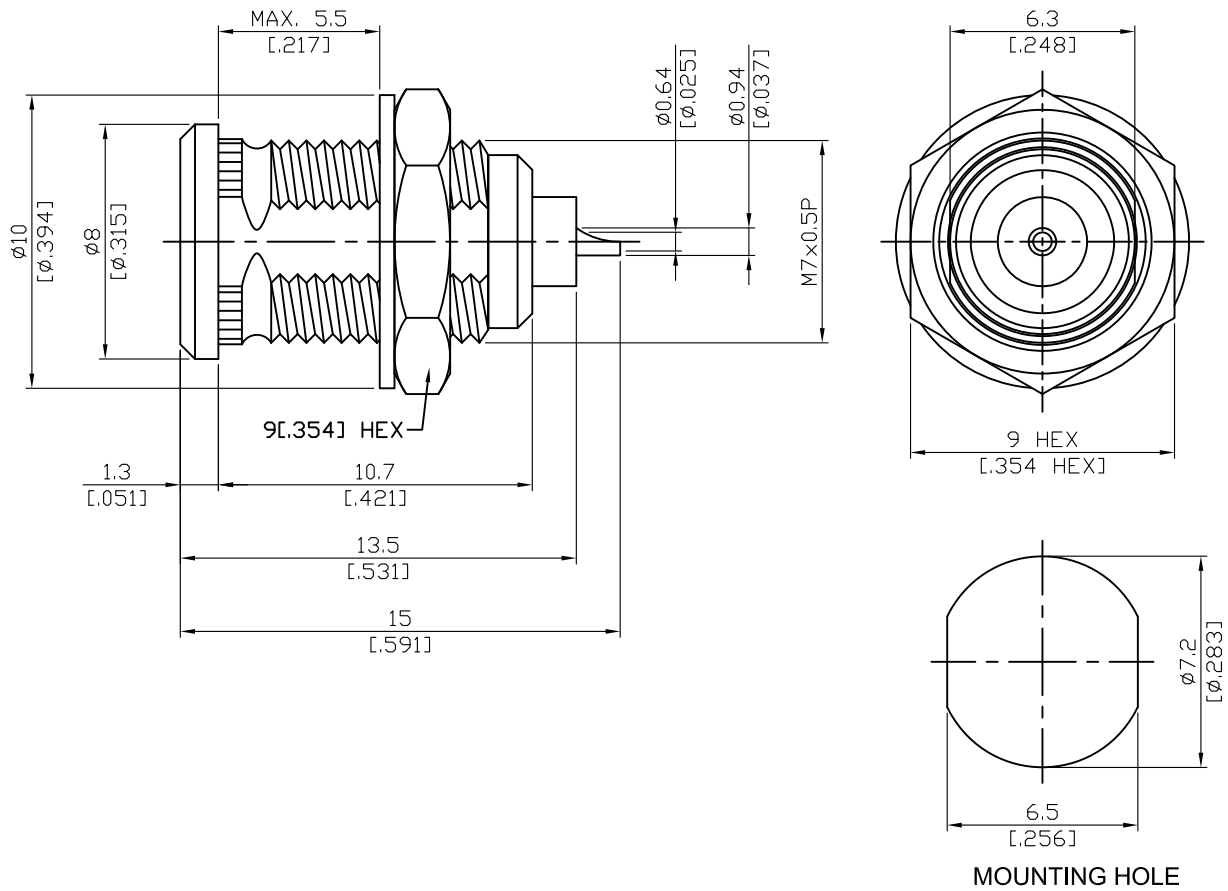


QLR8500-0000	QLR Jack Bulkhead 0.9GHz VSWR 1.2; 1.4GHz VSWR 1.45	50Ω
--------------	--	-----



Parts	Material	Plating (Micro-inch)
Body	Brass	Tin-Zinc-Copper-Alloy 100 Over Copper 50
Insulator	Teflon	
Contact Pin	Beryllium Copper	Gold 4 Over Nickel-Phosphorus Alloy 80 Over Copper 20
Nut	Brass	Tin-Zinc-Copper-Alloy 100 Over Copper 50

--	--

This part number complies with RoHS.

Notice: JYEBAO reserves the right to make modifications deemed appropriate.

QLR	QLR8500-0000
<div data-bbox="167 344 568 394" style="border: 1px solid black; padding: 2px;">Interface</div> <p>NIM-CAMAX-Standard CD/N549</p> <p>Intermateable with QLA (HUBER&SUHNER), 00.250 (LEMO)</p>	
<div data-bbox="167 510 568 560" style="border: 1px solid black; padding: 2px;">Electrical Data</div> <p>Impedance 50Ω</p> <p>Frequency range DC to 1.4GHz</p> <p>VSWR ≤0.9 (to 1.2GHz); ≤1.45 (to 1.4GHz)</p> <p>Insertion loss ≤0.03 x √f (GHz) dB</p> <p>Insulation resistance ≥10¹²Ω</p> <p>Contact resistance inner conductor ≤6mΩ</p> <p>Contact resistance outer conductor ≤3.5mΩ</p> <p>Test voltage (50 Hz) 2.1KV AC</p> <p>Working voltage (50Hz) 0.7KV AC</p> <p>Rated Current 4A</p>	
<div data-bbox="167 1099 568 1149" style="border: 1px solid black; padding: 2px;">Mechanical Data</div> <p>Contact captivation-axial ≥4.5 lbs</p> <p>Durability (mating) ≥5000</p>	
<div data-bbox="167 1388 568 1438" style="border: 1px solid black; padding: 2px;">Environmental Data</div> <p>Temperature range -55°C to +165°C</p> <p>Thermal shock MIL-STD-202, Method 107, Condition B</p> <p>Moisture resistance MIL-STD-202, Method 106</p> <p>Corrosion MIL-STD-202, Method 101, Condition B</p> <p>RoHS Compliant</p>	
<div data-bbox="167 1742 568 1792" style="border: 1px solid black; padding: 2px;">Tooling</div>	

Notice: JYEBAO reserves the right to make modifications deemed appropriate.