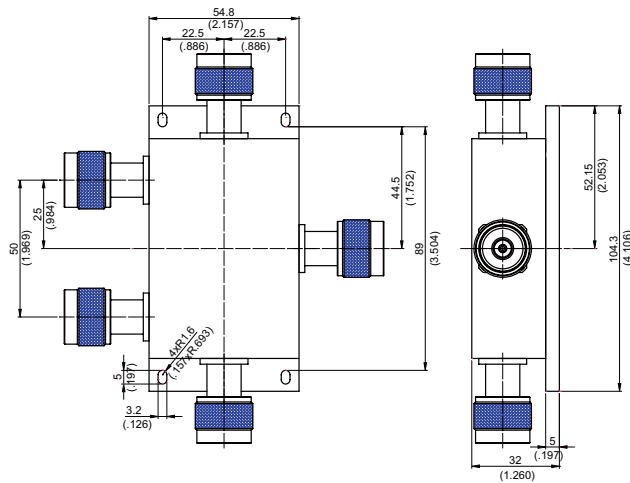


PD-NM2.4/2.5G30W4W

N Plug TO N Plug (Four Way) POWER DIVIDER



Series	Male/ Female	Ferquency Range (GHz)	Imped. (Ohm)	Power (Watt)	Ways	Isolation (Min. dB)	Return Loss	Insertion Loss (typical)
N	Male	2.4 to 2.5 GHz	50Ω	30 W	4 Ways	22dB	≤20dB	7.3dB

Parts	Material
N Plug	Brass
Housing	Aluminum

Weight: 339 g

This part number complies with RoHS.

Notice: JYBAO reserves the right to make modifications deemed appropriate.