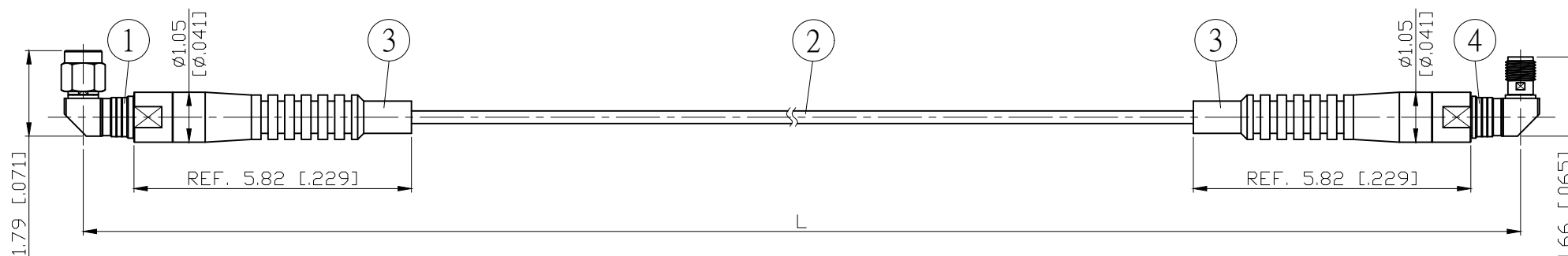


| NO. | COMPONENTS | IMPEDANCE |
|-----|------------------------|-----------|
| 1 | 3.5 MALE RIGHT ANGLE | 50 OHM |
| 2 | 5002A | 50 OHM |
| 3 | SLEEVE | |
| 4 | 3.5 FEMALE RIGHT ANGLE | 50 OHM |

| REVISION | | | |
|----------|-----------------|------------|----------|
| REV. | DESCRIPTON | DATE | APPROVED |
| - | INITIAL RELEASE | 2021/03/24 | |

3.5 MALE
RIGHT ANGLE

3.5 FEMALE
RIGHT ANGLE



| L CM (INCH) | L1 M (MM) |
|------------------------|----------------|
| 50 (19.685) | 0.487 (486.5) |
| 100 (39.370) | 0.987 (986.5) |
| 150 (59.055) | 1.487 (1486.5) |
| 200 (78.740) | 1.987 (1986.5) |
| Custom length in CM | - - - |

| Spec | Phase stability vs bending ⁽¹⁾ | Amplitude stability vs bending ⁽²⁾ | Max VSWR | Max IL | Flexure life cycle ⁽³⁾ |
|---------|--|--|----------|----------------------------|-----------------------------------|
| 3GHz | ±0.3° typ / ±0.5° max | ±0.005dB typ / ±0.01dB max | 1.12 : 1 | ≤ (0.0128dB/cm*Lcm)+0.15dB | ≥ 100000 |
| 6GHz | ±0.5° typ / ±0.75° max | ±0.0075dB typ / ±0.015dB max | 1.15 : 1 | ≤ (0.0189dB/cm*Lcm)+0.20dB | |
| 12.4GHz | ±0.75° typ / ±1.0° max | ±0.01dB typ / ±0.02dB max | 1.20 : 1 | ≤ (0.0293dB/cm*Lcm)+0.25dB | |
| 18GHz | ±1.0° typ / ±1.5° max | ±0.015dB typ / ±0.03dB max | 1.25 : 1 | ≤ (0.0361dB/cm*Lcm)+0.30dB | |
| 26.5GHz | ±1.5° typ / ±2.0° max | ±0.02dB typ / ±0.04dB max | 1.25 : 1 | ≤ (0.0450dB/cm*Lcm)+0.40dB | |

Notes:

- Operating Temp.: -40°C / +105°C
- Static bend radius 5.1mm
- Dynamic bend radius 20mm
- RoHS Compliant

- (1) Per IEC 60966-1, section 8.6, method 1
- (2) Per IEC 60966-1, section 8.4
- (3) Per IEC 60966-1, section 9.3

| NO. | PARTS NO. | DESCRIPTION | Q'TY | U/M | LENGTH TOLERANCE IS ±1.5% OR ±10MM, WHICHEVER IS GREATER. | STANDARD | REV - | UNIT CM(INCH) | JYE BAO CO., LTD. TAIPEI TAIWAN |
|-----|------------|--------------|--------------|-----|--|----------|---------------|------------------|--|
| 4 | U-3.5-F-RA | 3.5 JACK R/A | 1 | EA | | APPROVED | | DATE | DESCRIPTION CABLE ASSEMBLY 3.5 PLUG R/A TO 3.5 JACK R/A JYE BAO DRAWING NO. PC39PC89-52A-26.5GXXX |
| 3 | U-5002A | SLEEVE | 2 | EA | | CHECKED | | DATE | |
| 2 | 5002A | CABLE | SEE TABLE L1 | M | | DRAWING | <i>Albert</i> | DATE | |
| 1 | U-3.5-M-RA | 3.5 PLUG R/A | 1 | EA | | | | DATE | |