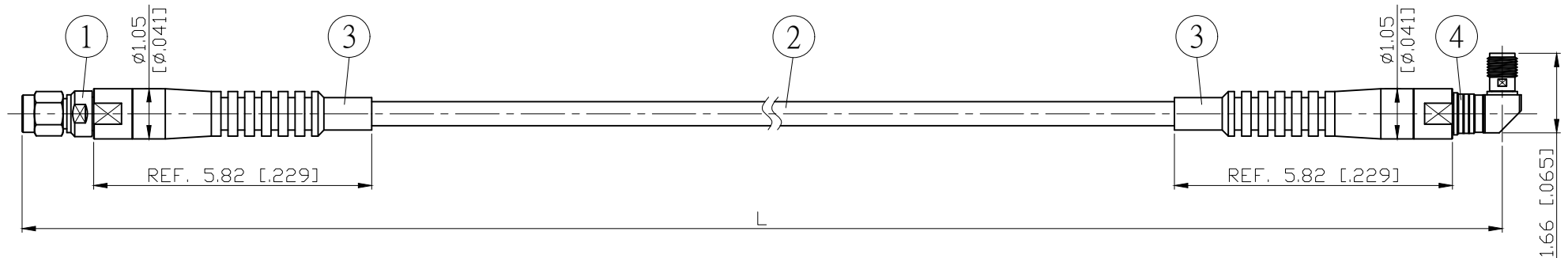


| NO. | COMPONENTS             | IMPEDANCE |
|-----|------------------------|-----------|
| 1   | 3.5 MALE               | 50 OHM    |
| 2   | PHASETEST2             | 50 OHM    |
| 3   | SLEEVE                 |           |
| 4   | 3.5 FEMALE RIGHT ANGLE | 50 OHM    |

| REVISION |                 |            |          |
|----------|-----------------|------------|----------|
| REV.     | DESCRIPTON      | DATE       | APPROVED |
| -        | INITIAL RELEASE | 2020/12/01 |          |

3.5 MALE

3.5 FEMALE  
RIGHT ANGLE



| L<br>CM (INCH)         | L1<br>M (MM)   |
|------------------------|----------------|
| 50 (19.685)            | 0.483 (482.5)  |
| 100 (39.370)           | 0.983 (982.5)  |
| 150 (59.055)           | 1.483 (1482.5) |
| 200 (78.740)           | 1.983 (1982.5) |
| Custom length<br>in CM | - - -          |

| Spec    | Phase stability<br>vs bending <sup>(1)</sup> | Amplitude stability vs<br>bending <sup>(2)</sup> | Max VSWR | Max IL                     | Flexure life cycle <sup>(3)</sup> |
|---------|----------------------------------------------|--------------------------------------------------|----------|----------------------------|-----------------------------------|
| 3GHz    | ±0.3° typ / ±0.5° max                        | ±0.005dB typ / ±0.01dB max                       | 1.12 : 1 | ≤ (0.0128dB/cm*Lcm)+0.15dB | ≥ 100000                          |
| 6GHz    | ±0.5° typ / ±0.75° max                       | ±0.0075dB typ / ±0.015dB max                     | 1.15 : 1 | ≤ (0.0189dB/cm*Lcm)+0.20dB |                                   |
| 12.4GHz | ±0.75° typ / ±1.0° max                       | ±0.01dB typ / ±0.02dB max                        | 1.20 : 1 | ≤ (0.0293dB/cm*Lcm)+0.25dB |                                   |
| 18GHz   | ±1.0° typ / ±1.5° max                        | ±0.015dB typ / ±0.03dB max                       | 1.25 : 1 | ≤ (0.0361dB/cm*Lcm)+0.30dB |                                   |
| 26.5GHz | ±1.5° typ / ±2.0° max                        | ±0.02dB typ / ±0.04dB max                        | 1.25 : 1 | ≤ (0.0450dB/cm*Lcm)+0.40dB |                                   |

Notes:

- Operating Temp.: -40°C / +105°C
- Static bend radius 15mm
- Dynamic bend radius 30mm
- RoHS Compliant

- (1) Per IEC 60966-1, section 8.6, method 1
- (2) Per IEC 60966-1, section 8.4
- (3) Per IEC 60966-1, section 9.3

| NO. | PARTS NO.  | DESCRIPTION  | Q'TY         | U/M | LENGTH TOLERANCE<br>IS ±1.5% OR ±10MM,<br>WHICHEVER IS<br>GREATER. | STANDARD      | REV | UNIT     | <b>JYE BAO CO., LTD.</b><br>TAIPEI TAIWAN              |
|-----|------------|--------------|--------------|-----|--------------------------------------------------------------------|---------------|-----|----------|--------------------------------------------------------|
| 4   | U-3.5-F-RA | 3.5 JACK R/A | 1            | EA  |                                                                    | APPROVED      | -   | CM(INCH) |                                                        |
| 3   | U-PT2      | SLEEVE       | 2            | EA  |                                                                    | CHECKED       |     | DATE     |                                                        |
| 2   | PHASETEST2 | CABLE        | SEE TABLE L1 | M   |                                                                    | DRAWING       |     | DATE     |                                                        |
| 1   | U-3.5-M    | 3.5 PLUG     | 1            | EA  |                                                                    | <i>Albert</i> |     | DATE     | DESCRIPTION<br>CABLE ASSEMBLY 3.5 PLUG TO 3.5 JACK R/A |
|     |            |              |              |     |                                                                    |               |     |          | JYE BAO DRAWING NO.<br>PC30PC89-PT2-26.5GXXX           |