

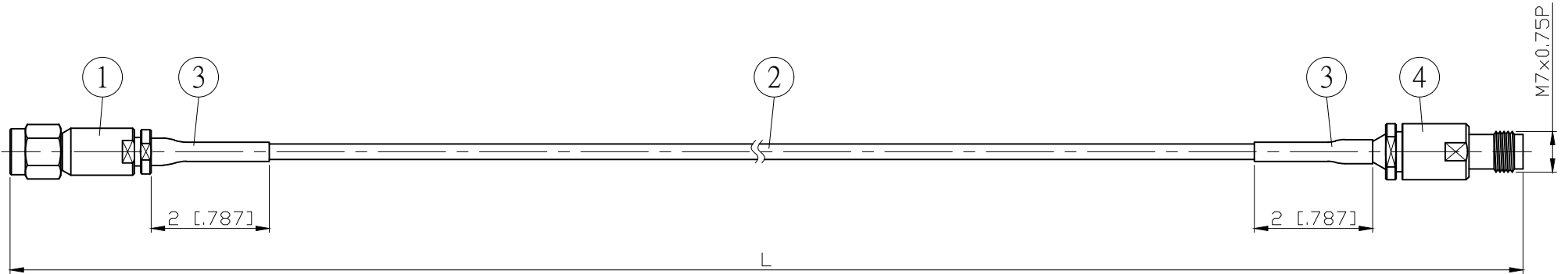
NO.	COMPONENTS	IMPEDANCE
1	3.5 MALE	50 OHM
2	5002	50 OHM
3	HEAT SHRINKING TUBE	
4	3.5 FEMALE	50 OHM

REVISION			
REV.	DESCRIPTON	DATE	APPROVED
-	INITIAL RELEASE	2021/03/24	

TEST LEAD WITH EXTRA STURDY CABLE / CONNECTOR CONNECTION.

3.5 MALE

3.5 FEMALE



L CM (INCH)	L1 M (MM)
50 (19.685)	0.474 (474.0)
100 (39.370)	0.974 (974.0)
150 (59.055)	1.474 (1474.0)
200 (78.740)	1.974 (1974.0)
Custom length in CM	- - -

Spec	Phase stability vs bending ⁽¹⁾	Amplitude stability vs bending ⁽²⁾	Max VSWR	Max IL	Flexure life cycle ⁽³⁾
3GHz	±0.3° typ / ±0.5° max	±0.005dB typ / ±0.01dB max	1.12 : 1	≤ (0.0128dB/cm*Lcm)+0.15dB	≥ 10000
6GHz	±0.5° typ / ±0.75° max	±0.0075dB typ / ±0.015dB max	1.15 : 1	≤ (0.0189dB/cm*Lcm)+0.20dB	
12.4GHz	±0.75° typ / ±1.0° max	±0.010dB typ / ±0.02dB max	1.20 : 1	≤ (0.0293dB/cm*Lcm)+0.25dB	
18GHz	±1.0° typ / ±1.5° max	±0.015dB typ / ±0.03dB max	1.25 : 1	≤ (0.0361dB/cm*Lcm)+0.30dB	
26.5GHz	±1.5° typ / ±2.0° max	±0.020dB typ / ±0.04dB max	1.30 : 1	≤ (0.0450dB/cm*Lcm)+0.40dB	

Notes:

1. Operating Temp.: -55°C / +105°C
2. Static bend radius 5.1mm
3. Dynamic bend radius 30mm
4. RoHS Compliant

- (1) Per IEC 60966-1, section 8.6, method 1
- (2) Per IEC 60966-1, section 8.4
- (3) Per IEC 60966-1, section 9.3

NO.	PARTS NO.	DESCRIPTION	Q'TY	U/M
4	PC3.5-8200S-5002	3.5 JACK	1	EA
3	G5(F)-4.0MM-BLACK	TUBE	0.04	M
2	5002	CABLE	SEE TABLE L1	M
1	PC3.5-3200S-5002	3.5 PLUG	1	EA

LENGTH TOLERANCE IS ±1.5% OR ±10MM, WHICHEVER IS GREATER.	STANDARD	REV -	UNIT CM(INCH)	JYE BAO CO., LTD.
	APPROVED		DATE	TAIPEI TAIWAN
	CHECKED		DATE	DESCRIPTION CABLE ASSEMBLY 3.5 PLUG TO 3.5 JACK
	DRAWING <i>Albert</i>		DATE	JYE BAO DRAWING NO. PC30PC80-5002-26.5GXXX