

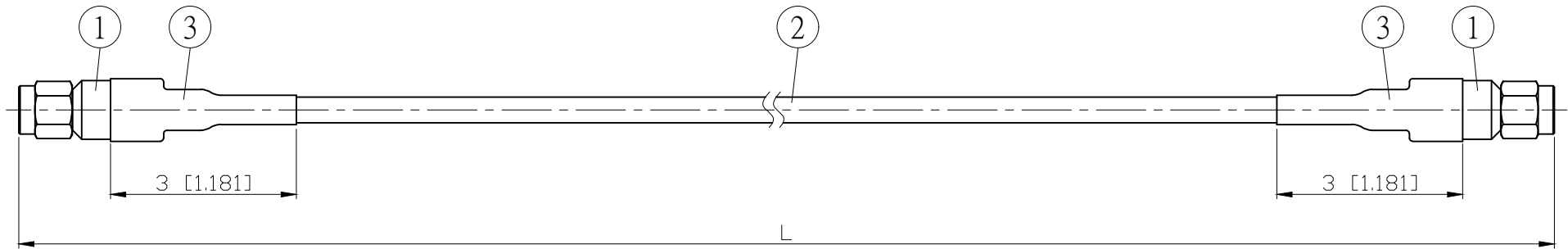
NO.	COMPONENTS	IMPEDANCE
1	3.5 MALE	50 OHM
2	5003	50 OHM
3	HEAT SHRINKING TUBE	

REVISION			
REV.	DESCRIPTON	DATE	APPROVED
-	INITIAL RELEASE	2021/03/26	

**TEST LEAD WITH EXTRA STURDY  
CABLE / CONNECTOR CONNECTION.**

3.5 MALE

3.5 MALE



JYE BAO P/N	Freq. (GHz)	Max. Return Loss	L CM (INCH)	L1 M (MM)
PC30PC30-5003-26.5GXXX	26.5	-16.5dB	50 (19.685)	0.477 (476.5)
			100 (39.370)	0.977 (976.5)
			150 (59.055)	1.477 (1476.5)
			200 (78.740)	1.977 (1976.5)
			CUSTOM LENGTH IN CM	- - -

				LENGTH TOLERANCE IS $\pm 1.5\%$ OR $\pm 10\text{MM}$ , WHICHEVER IS GREATER.	STANDARD	REV -	UNIT CM(INCH)	<b>JYE BAO CO., LTD.</b> TAIPEI TAIWAN
					APPROVED	DATE		
					CHECKED	DATE		DESCRIPTION CABLE ASSEMBLY 3.5 PLUG TO 3.5 PLUG
					DRAWING <i>Albert</i>	DATE		JYE BAO DRAWING NO. PC30PC30-5003-26.5GXXX
3	G5(F)-10MM-BLACK	TUBE	0.06	M				
2	5003	CABLE	SEE TABLE L1	M				
1	PC3.5-3200S-5003	3.5 PLUG	2	EA				
NO.	PARTS NO.	DESCRIPTION	Q'TY	U/M				