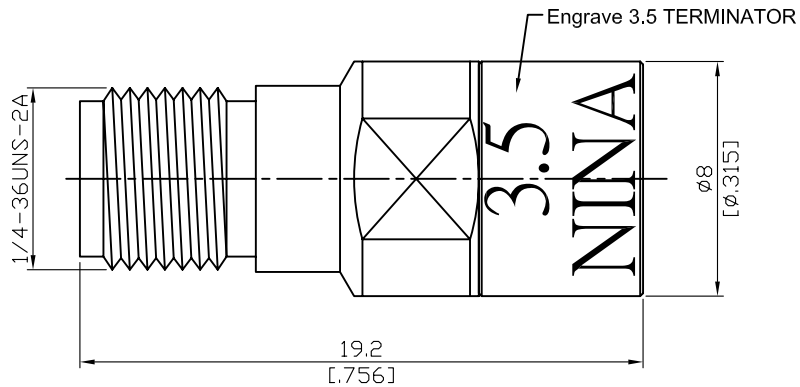


PC3.5-8900S-0035

0.5 Watt 50ohm 3.5mm Jack Termination  
34.5GHz VSWR 1.2

50Ω



VSWR 1.20 : 1 Max 34.5GHz  
Average power: 0.5W

Parts	Material	Plating ( Micro-inch )
Contact Pin	Beryllium Copper	Gold 4 Over Nickel-Phosphorus Alloy 80 Over Copper 20
Insulator	Teflon	
Body	Stainless Steel	Passivated

This part number complies with RoHS.

Notice: JYEBAO reserves the right to make modifications demand appropriate.