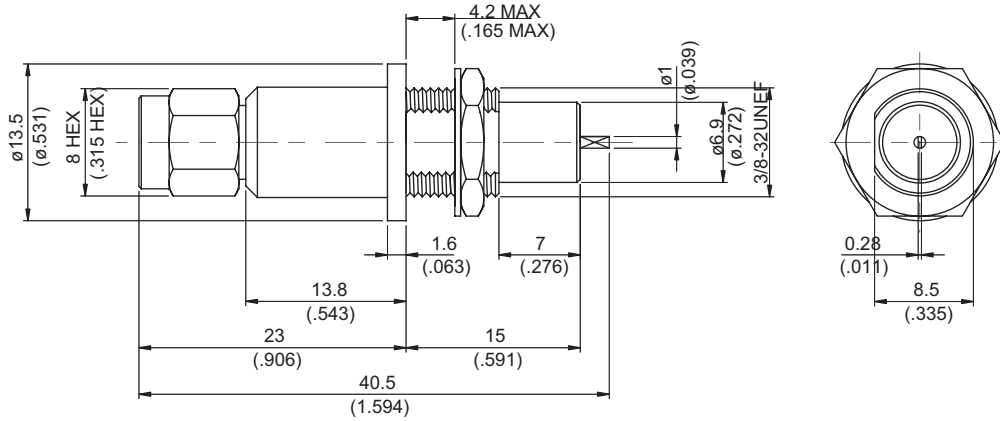


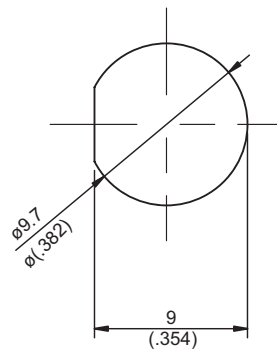
PC3.5-3500-0000

3.5 Plug Bulkhead With Tab Contact
(W=1;T=0.28;L=2.5); 21GHz VSWR 1.2

50Ω



MOUNTING HOLE:



Parts	Material	Plating (Micro-inch)
Nut Hex	Brass	Tin-Zinc-Copper-Alloy 100 Over Copper 50
Contact Pin	Brass	Gold 4 Over Nickel-Phosphorus Alloy 80 Over Copper 20
Gasket	Silicon	
Renber Ring	Beryllium Copper	Tin-Zinc-Copper-Alloy 100 Over Copper 50
Washer	Brass	Tin-Zinc-Copper-Alloy 100 Over Copper 50
Insulator	Teflon	
Body	Stainless	Passivated
Coupling Nut	Stainless	Passivated

Weight: 16.24 g

This part number complies with RoHS.

Notice: JYEBAO reserves the right to make modifications deemed appropriate.

3.5	PC3.5-3500-0000
<div data-bbox="167 344 568 389" style="border: 1px solid black; padding: 2px;">Interface</div> <p>IEC 60169-23 Mechanically compatible with</p>	
<div data-bbox="167 512 568 557" style="border: 1px solid black; padding: 2px;">Electrical Data</div> <p>Impedance 50Ω Frequency range DC to 21GHz VSWR ≤ 1.20 to 21GHz Insertion loss $\leq 0.03 \times \sqrt{f(\text{GHz})}$ dB Insulation resistance $\geq 5000\text{M}\Omega$ Contact resistance inner conductor $\leq 3\text{m}\Omega$ Contact resistance outer conductor $\leq 2\text{m}\Omega$ Dielectric withstanding voltage (at sea level) 1000 V rms Working voltage (at sea level) 335 V rms RF leakage $\geq 100\text{dB}$ to 1GHz</p>	
<div data-bbox="167 1104 568 1149" style="border: 1px solid black; padding: 2px;">Mechanical Data</div> <p>Recommended coupling nut torque 7.1 to 9.7 inch lbs Coupling proof torque 15 inch lbs Coupling nut retention force ≥ 60.7 lbs Contact captivation-axial ≥ 6.1 lbs Durability (mating) ≥ 500</p>	
<div data-bbox="167 1458 568 1503" style="border: 1px solid black; padding: 2px;">Environmental Data</div> <p>Temperature range -55°C to +105°C Thermal shock MIL-STD-202, Method 107, Condition B Moisture resistance MIL-STD-202, Method 106 Corrosion MIL-STD-202, Method 101, Condition B RoHS Compliant</p>	
<div data-bbox="167 1814 568 1859" style="border: 1px solid black; padding: 2px;">Tooling</div>	

Notice: JYEBAO reserves the right to make modifications deemed appropriate.

PC3.5-3500-0000

S11

