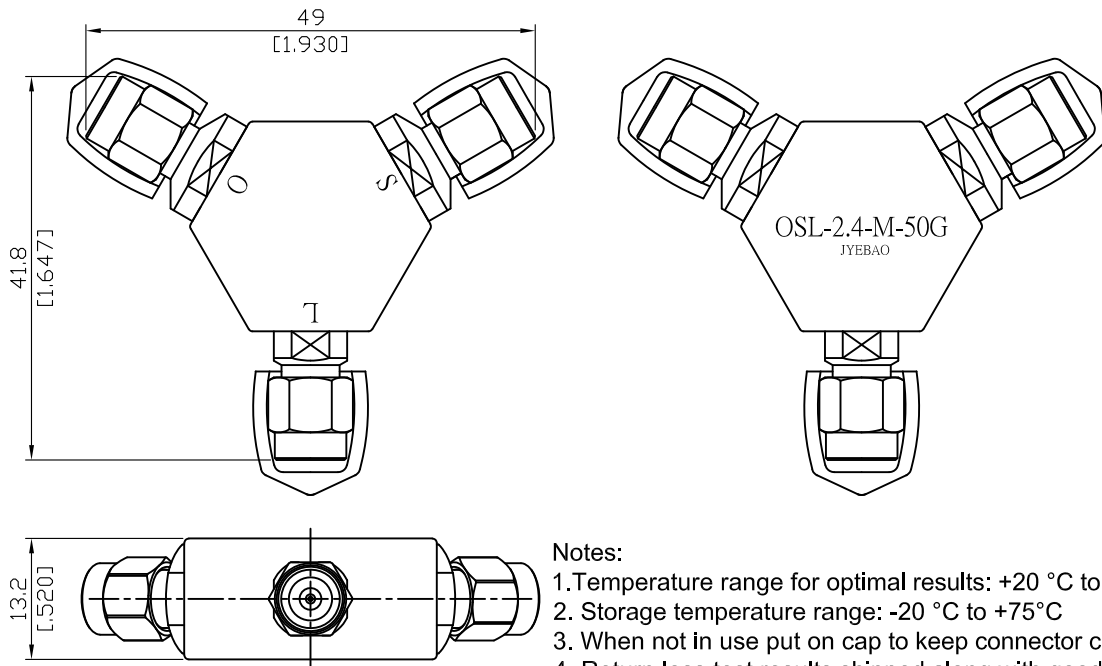


OSL-2.4-M-50G

2.4mm Plug Open Short Load 50GHz

50Ω



Notes:

1. Temperature range for optimal results: +20 °C to +26 °C
2. Storage temperature range: -20 °C to +75°C
3. When not in use put on cap to keep connector clean
4. Return loss test results shipped along with goods

OPEN			
FREQUENCY RANGE		DC-50GHz	
IMPEDANCE		50Ω	
OFFSET LENGTH			
AGILENT	ANRITSU	ROHDE&SCHWARZ	
20.837ps	6.2511mm	6.2511mm	
CAPACITANCE			
AGILENT/ANRITSU		ROHDE&SCHWARZ	
C0 (1E-15) F	29.722	ff	29.722
C1 (1E-27) F/Hz	165.780	ff/GHz	0.1658
C2 (1E-36) F/Hz ²	-3.539	ff/GHz ²	-0.0035
C3 (1E-45) F/Hz ³	0.071	ff/GHz ³	0.0001
PHASE ERROR	DC-10GHz		≤ 2°
	10-26.5GHz		≤ 3°
	26.5-50GHz		≤ 4°
RETURN LOSS	DC-10GHz		≤ 0.10dB
	10-26.5GHz		≤ 0.20dB
	26.5-50GHz		≤ 0.30dB

SHORT			
FREQUENCY RANGE		DC-50GHz	
IMPEDANCE		50Ω	
OFFSET LENGTH			
AGILENT	ANRITSU	ROHDE&SCHWARZ	
22.548ps	6.7644mm	6.7644mm	
INDUCTANCE			
AGILENT/ANRITSU		ROHDE&SCHWARZ	
L0 (1E-12)H	2.164	pH	2.164
L1 (1E-24)H/Hz	-146.350	pH/GHz	-0.1464
L2 (1E-33)H/Hz ²	4.044	pH/GHz ²	0.0040
L3 (1E-42)H/Hz ³	-0.036	pH/GHz ³	0.0000
PHASE ERROR	DC-10GHz		≤ 2°
	10-26.5GHz		≤ 3°
	26.5-50GHz		≤ 4°
RETURN LOSS	DC-10GHz		≤ 0.10dB
	10-26.5GHz		≤ 0.20dB
	26.5-50GHz		≤ 0.25dB

LOAD		
FREQUENCY RANGE		DC-50GHz
IMPEDANCE		50Ω
DC RESISTANCE		50±0.25Ω
MAX POWER		0.25W
RETURN LOSS	DC-4GHz	≥ 36dB
	4-20GHz	≥ 30dB
	20-26.5GHz	≥ 26dB
	26.5-50GHz	≥ 22dB

Parts	Material	Plating (Micro-inch)
Housing	Aluminium	Anodized (Green)
Cap	PVC	
Body (open/short/load)	Stainless Steel	Passivated
Contact pin (open/short/load)	Beryllium Copper	Gold 4 Over Nickel-Phosphorus Alloy 80 Over Copper 20
Dielectric (open)	PS	
Dielectric (load)	PPO	

This part number complies with RoHS.

Notice: JYEBAO reserves the right to make modifications deemed appropriate.