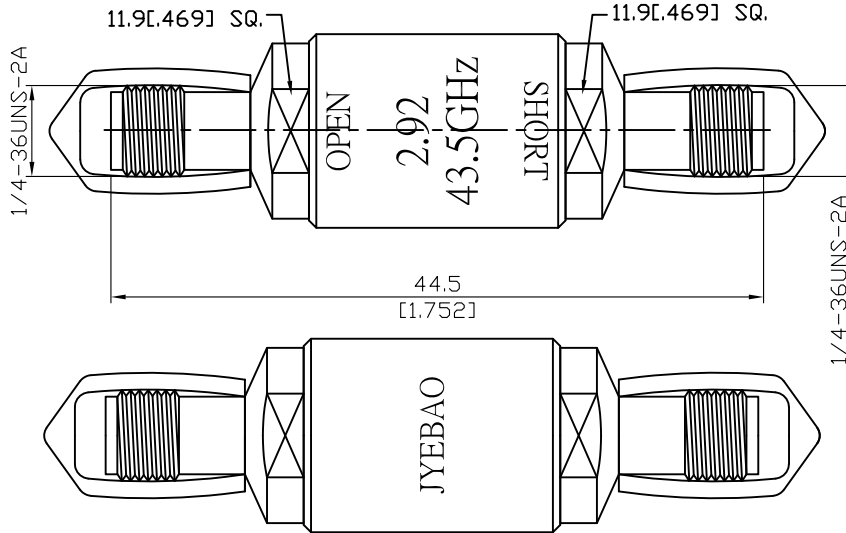


OS-2.92-F-43.5G

2.92mm Jack 50ohm Open Short 43.5GHz

50Ω



Notes:

1. Temperature range for optimal results: +20 °C to +26 °C
2. Storage temperature range: -20 °C to +75°C
3. When not in use put on cap to keep connector clean
4. Return loss test results shipped along with goods (example below)

OPEN				
FREQUENCY RANGE	DC-43.5GHz			
IMPEDANCE	50Ω			
OFFSET LENGTH	Agilent	Anritsu	Rohde & Schwarz	
	16.70ps	5.01mm	5.01mm	
CAPACITANCE	Agilent / Anritsu		Rohde & Schwarz	
	C0	(1E-15) F	5.000	fF
C1	(1E-27) F/Hz	0.000	fF/GHz	0.0000000
C2	(1E-36) F/Hz ²	1.500	fF/GHz ²	0.0015000
C3	(1E-45) F/Hz ³	0.100	fF/GHz ³	0.0001000
PHASE ERROR	DC-6GHz		≤ 1°	
	6-26.5GHz		≤ 3°	
	26.5-40GHz		≤ 5°	
	40-43.5GHz		≤ 6°	
RETURN LOSS	DC-18GHz		≤ 0.10dB	
	18-43.5GHz		≤ 0.25dB	

SHORT				
FREQUENCY RANGE	DC-43.5GHz			
IMPEDANCE	50Ω			
OFFSET LENGTH	Agilent	Anritsu	Rohde & Schwarz	
	16.70ps	5.01mm	5.01mm	
INDUCTANCE	Agilent / Anritsu		Rohde & Schwarz	
	L0	(1E-12) H	8.000	pH
L1	(1E-24) H/Hz	-995.000	pH/GHz	-0.9950000
L2	(1E-33) H/Hz ²	33.000	pH/GHz ²	0.0330000
L3	(1E-42) H/Hz ³	-0.290	pH/GHz ³	-0.0002900
PHASE ERROR	DC-6GHz		≤ 1°	
	6-26.5GHz		≤ 3°	
	26.5-40GHz		≤ 5°	
	40-43.5GHz		≤ 6°	
RETURN LOSS	DC-18GHz		≤ 0.10dB	
	18-43.5GHz		≤ 0.25dB	

Parts	Material	Plating (Micro-inch)
Housing	Aluminium	Anodized (Green)
Cap	PVC	
Body open/short	Stainless Steel	Passivated
Contact pin open/short	Beryllium Copper	Gold 4 Over Nickel Phosphorous Alloy 80 Over Copper 20
Dielectric open	PPO	

This part number complies with RoHS.

Notice: JYEBAO reserves the right to make modifications deemed appropriate.

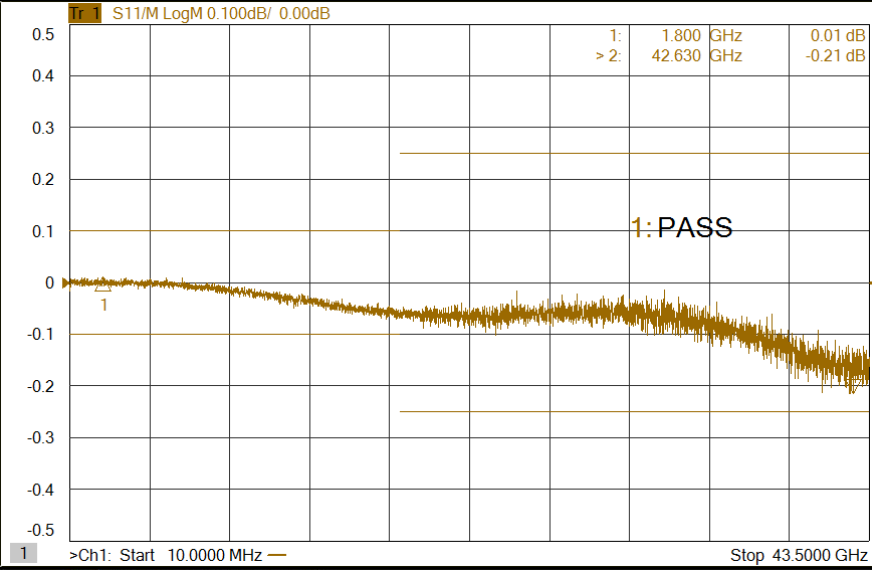
Test equipment

N5227B NETWORK ANALYZER

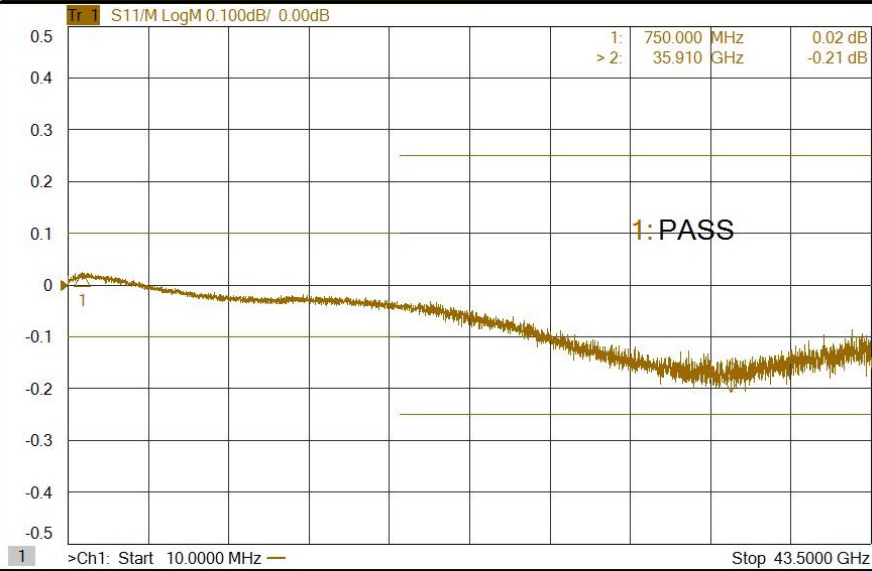
Return Loss

OS-2.92-F-43.5G test result

Open



Short



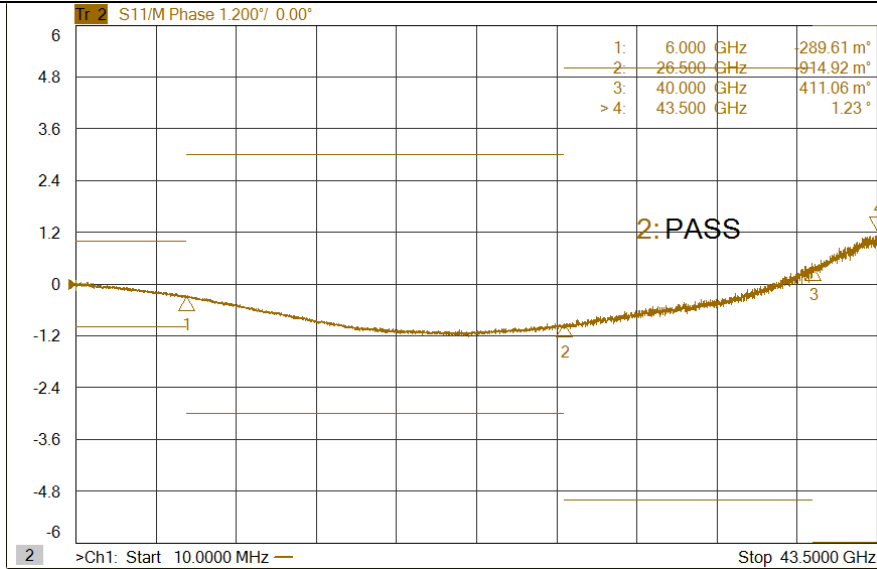
Test equipment

N5227B NETWORK ANALYZER

Phase error

TOSLK50A-43.5 VS OS-2.92-F-43.5G

Open



Short

