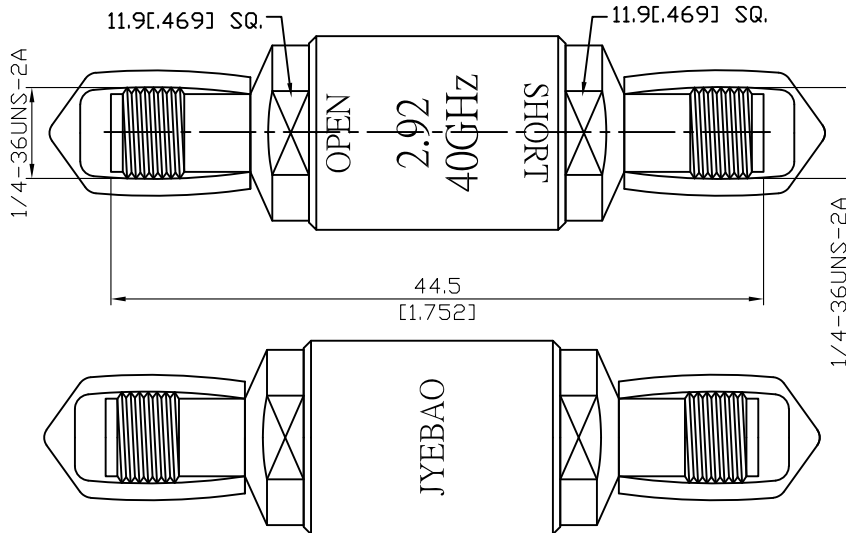


OS-2.92-F-40G

2.92mm Jack 50ohm Open Short 40GHz

50Ω



Notes:

1. Temperature range for optimal results: +20 °C to +26 °C
2. Storage temperature range: -20 °C to +75°C
3. When not in use put on cap to keep connector clean
4. Return loss test results shipped along with goods (example below)

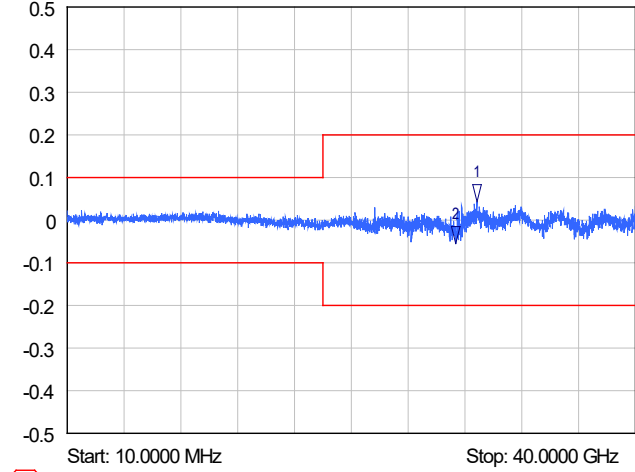
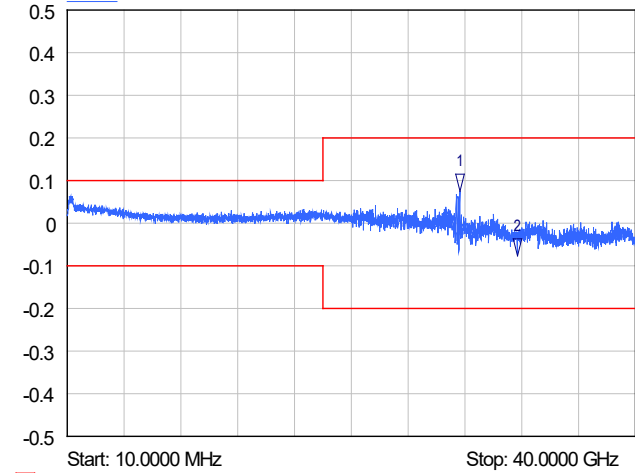
OPEN				
Frequency Range	DC-40GHz			
Impedance	50Ω			
Offset length	Agilent	Anritsu	Rohde&Schwarz	
	16.70ps	5.01mm	5.01mm	
Capacitance	Agilent/Anritsu		Rohde&Schwarz	
	C0	(1E-15) F	5.000	fF
C1	(1E-27) F/Hz	0.000	fF/GHz	0.0000000
C2	(1E-36) F/Hz ²	1.500	fF/GHz ²	0.0015000
C3	(1E-45) F/Hz ³	0.100	fF/GHz ³	0.0001000
Phase Error	DC-6GHz			
	≤1°			
	6-26.5GHz			
≤2°				
26.5-40Ghz				
≤3°				
Return Loss	DC-18GHz			
	≤0.10dB			
	18-40GHz			
≤0.20dB				

SHORT				
Frequency Range	DC-40GHz			
Impedance	50Ω			
Offset length	Agilent	Anritsu	Rohde&Schwarz	
	16.70ps	5.01mm	5.01mm	
Inductance	Agilent/Anritsu		Rohde&Schwarz	
	L0	(1E-12) H	8.000	pH
L1	(1E-24) H/Hz	-995.000	pH/GHz	-0.9950000
L2	(1E-33) H/Hz ²	33.000	pH/GHz ²	0.0330000
L3	(1E-42) H/Hz ³	-0.290	pH/GHz ³	-0.0002900
Phase Error	DC-6GHz			
	≤1°			
	6-26.5GHz			
≤2°				
26.5-40Ghz				
≤3°				
Return Loss	DC-18GHz			
	≤0.10dB			
	18-40GHz			
≤0.20dB				

Parts	Material	Plating (Micro-inch)
Housing	Aluminium	Anodized (Green)
Cap	PVC	
Body open/short	Stainless Steel	Passivated
Contact pin open/short	Beryllium Copper	Gold 4 Over Nickel Phosphorous Alloy 80 Over Copper 20
Dielectric open	PPO	

This part number complies with RoHS.

Notice: JYEBAO reserves the right to make modifications deemed appropriate.

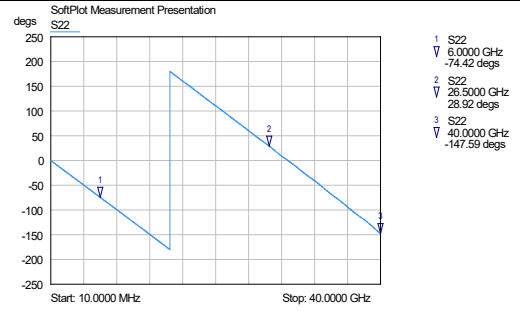
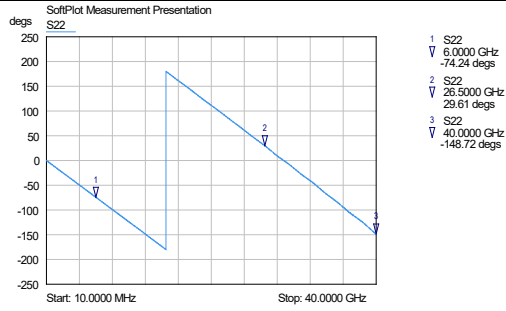
Test equipment	MS4647B NETWORK ANALYZER
Return Loss	Test result
<p style="text-align: center;">Open</p>	<p>SoftPlot Measurement Presentation S22</p>  <p>1 S22 ∇ 28.8300 GHz 0.04 dB</p> <p>2 S22 ∇ 27.3600 GHz -0.06 dB</p> <p>Start: 10.0000 MHz Stop: 40.0000 GHz</p> <p>PASS</p>
<p style="text-align: center;">Short</p>	<p>SoftPlot Measurement Presentation S22</p>  <p>1 S22 ∇ 27.6300 GHz 0.08 dB</p> <p>2 S22 ∇ 31.6800 GHz -0.08 dB</p> <p>Start: 10.0000 MHz Stop: 40.0000 GHz</p> <p>PASS</p>

Phase error

TOSLKF50A-40

OS-2.92-F-40G

Open



Short

