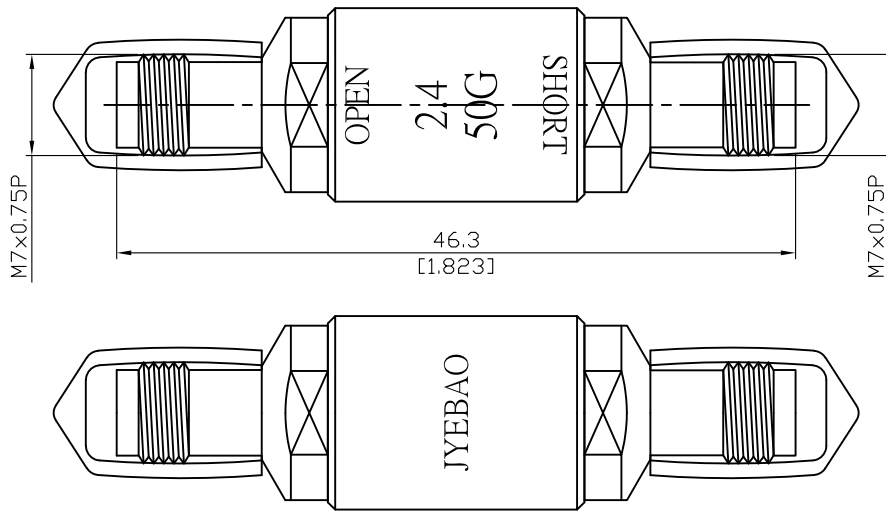


OS-2.4-F-50G

2.4mm Jack Open Short 50GHz

50Ω



**Notes:**

1. Temperature range for optimal results: +20 °C to +26 °C
2. Storage temperature range: -20 °C to +75 °C
3. When not in use put on cap to keep connector clean
4. Return loss test results shipped along with goods

OPEN			
FREQUENCY RANGE		DC-50GHz	
IMPEDANCE		50Ω	
OFFSET LENGTH			
AGILENT	ANRITSU	ROHDE&SCHWARZ	
20.837ps	6.2511mm	6.2511mm	
CAPACITANCE			
AGILENT/ANRITSU		ROHDE&SCHWARZ	
C0 (1E-15) F	29.720	fF	29.720
C1 (1E-27) F/Hz	165.780	fF/GHz	0.1658
C2 (1E-36) F/Hz <sup>2</sup>	-3.539	fF/GHz <sup>2</sup>	-0.0035
C3 (1E-45) F/Hz <sup>3</sup>	0.071	fF/GHz <sup>3</sup>	0.0001
PHASE ERROR	DC-10GHz	≤ 2°	
	10-26.5GHz	≤ 3°	
	26.5-50GHz	≤ 4°	
RETURN LOSS	DC-10GHz	≤ 0.10dB	
	10-26.5GHz	≤ 0.20dB	
	26.5-50GHz	≤ 0.30dB	

SHORT			
FREQUENCY RANGE		DC-50GHz	
IMPEDANCE		50Ω	
OFFSET LENGTH			
AGILENT	ANRITSU	ROHDE&SCHWARZ	
22.548ps	6.7644mm	6.7644mm	
INDUCTANCE			
AGILENT/ANRITSU		ROHDE&SCHWARZ	
L0 (1E-12)H	2.164	pH	2.164
L1 (1E-24)H/Hz	-146.350	pH/GHz	-0.1464
L2 (1E-33)H/Hz <sup>2</sup>	4.044	pH/GHz <sup>2</sup>	0.0040
L3 (1E-42)H/Hz <sup>3</sup>	-0.036	pH/GHz <sup>3</sup>	0.0000
PHASE ERROR	DC-10GHz	≤ 2°	
	10-26.5GHz	≤ 3°	
	26.5-50GHz	≤ 4°	
RETURN LOSS	DC-10GHz	≤ 0.10dB	
	10-26.5GHz	≤ 0.20dB	
	26.5-50GHz	≤ 0.25dB	

Parts	Material	Plating ( Micro-inch )
Housing	Aluminium	Anodized (Green)
Cap	PVC	
Body (open/short)	Stainless Steel	Passivated
Contact pin (open/short)	Beryllium Copper	Gold 4 Over Nickel-Phosphorus Alloy 80 Over Copper 20
Dielectric (open)	PS	

This part number complies with RoHS.

Notice: JYEBAO reserves the right to make modifications deemed appropriate.