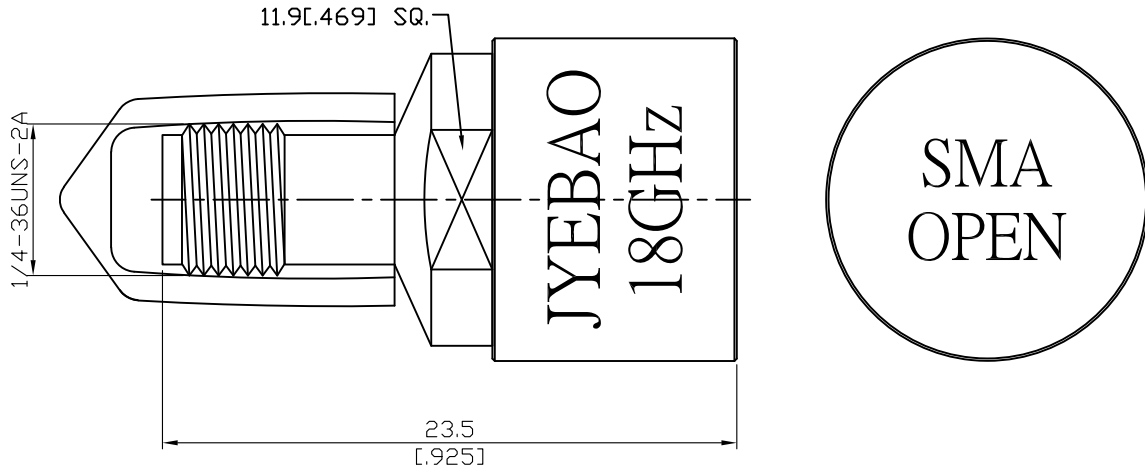


O-SMA-F-18G

SMA Jack 50ohm Open
18GHz 0.2dB

50Ω



OPEN				
FREQUENCY RANGE	DC-18GHz			
IMPEDANCE	50Ω			
OFFSET LENGTH	Agilent	Anritsu	Rohde & Schwarz	
	16.70ps	5.01mm	5.01mm	
CAPACITANCE	Agilent / Anritsu		Rohde & Schwarz	
	C0	(1E-15) F	5.000	fF
C1	(1E-27) F/Hz	0.000	fF/GHz	0.0000000
C2	(1E-36) F/Hz ²	1.500	fF/GHz ²	0.0015000
C3	(1E-45) F/Hz ³	0.100	fF/GHz ³	0.0001000
PHASE ERROR	DC-6GHz	≤ 1°		
	6-18GHz	≤ 3°		
RETURN LOSS	DC-6GHz	≤ 0.10dB		
	6-18GHz	≤ 0.20dB		

Notes:

1. Temperature range for optimal results: +20 °C to +26 °C
2. Storage temperature range: -20 °C to +75°C
3. When not in use put on cap to keep connector clean
4. Return loss test results shipped along with goods (example below)
5. Use with Jyebao short S-SMA-F-18G

Parts	Material	Plating (Micro-inch)
Cover	Aluminium	Anodized(Green)
Contact Pin	Beryllium Copper	Gold 4 Over Nickel-Phosphorus Alloy 80 Over Copper 20
Insulator	Teflon	
Body	Stainless Steel	Passivated
Cap	PVC	

This part number complies with RoHS.

Notice: JYEBAO reserves the right to make modifications deemed appropriate.

O-SMA-F-18G

OPEN return loss & phase error

